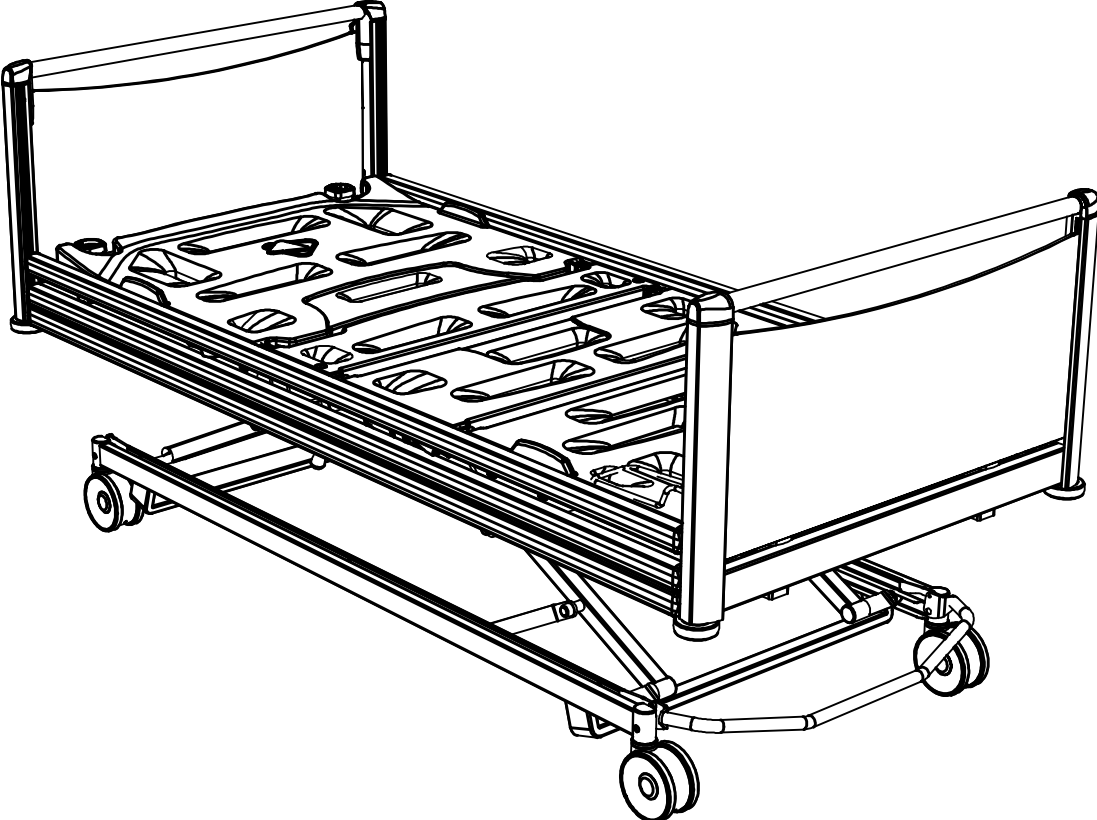
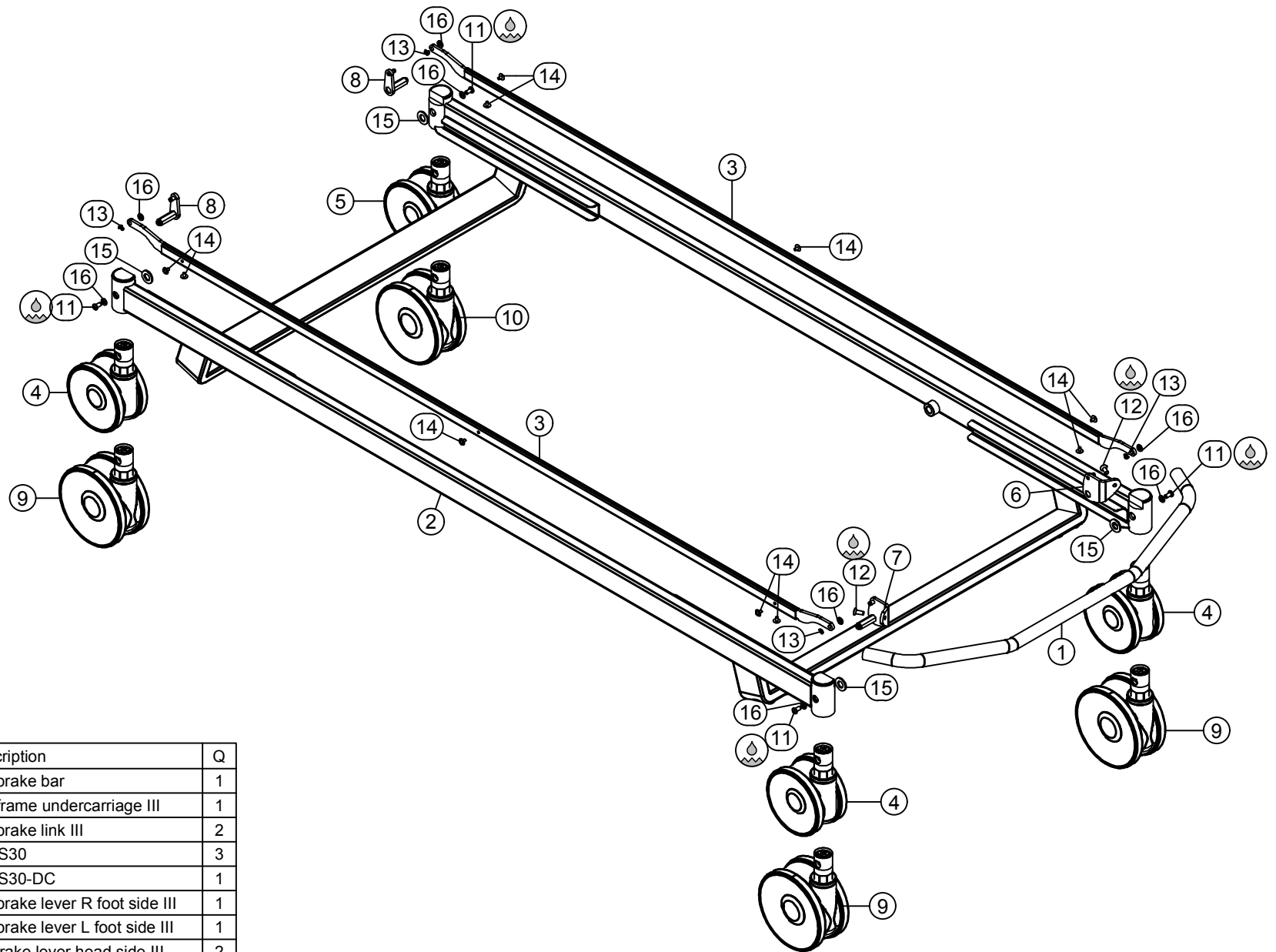



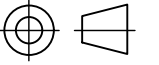
Bill of Material

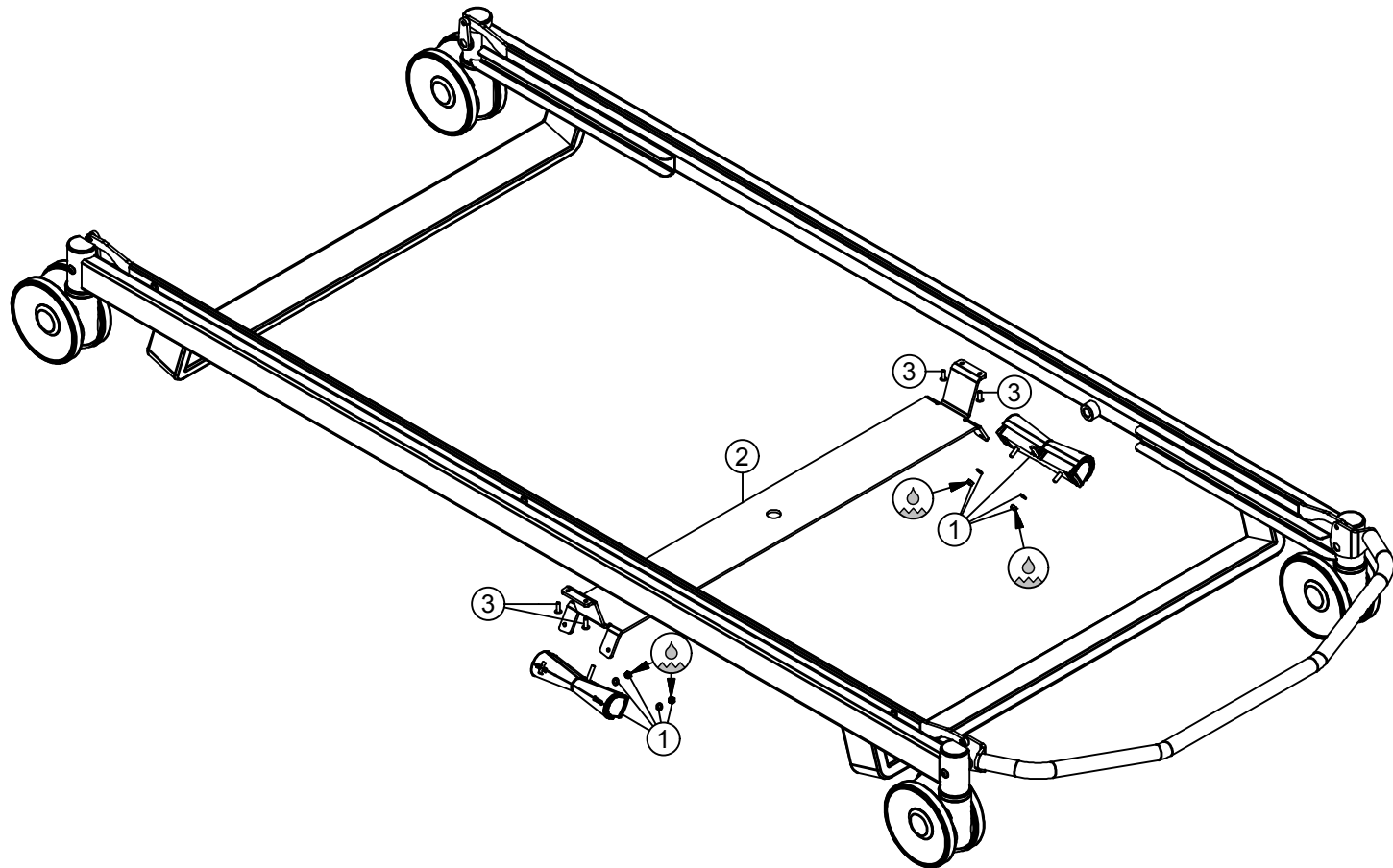
Olympia Hospital XLow




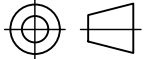


	ID	Description	Q
1	A-020112	Olympia Hospital XLow - brake bar	1
2	A-021961	Olympia Hospital XLow - frame undercarriage III	1
3	A-021966	Olympia Hospital XLow - brake link III	2
4	A-021970	castor Linea-125-R36-34 S30	3
5	A-021971	castor Linea-125-R36-34 S30-DC	1
6	A-021983	Olympia Hospital XLow - brake lever R foot side III	1
7	A-021984	Olympia Hospital XLow - brake lever L foot side III	1
8	A-021985	Olympia Hospital Xlow - brake lever head side III	2
9	A-022813	castor Linea-150-R36-34 S30-H155 (option)	3
10	A-022817	castor Linea-150-R36-34 S30-H155-DC (option)	1
11	B-004168	bolt Iso7380-M6x12x12-10.9 GV white-LC	4
12	B-012599	bolt Din7991-M6x16x16-8.8 GV white	2
13	ST000464	springfix diam.5	4
14	ST001405	buffer 12mm	10
15	VL002182	washer Din125A-M12-PA	4
16	VL020302	washer Din125A-M6-PA	8

Description: Olympia Hospital XLow - undercarriage III	Scale: 1 : 10	 L. Bekaertstraat 8 - 8770 Ingelmunster, Belgium Tel.: +32(0)51 48 66 95 Fax.:+32(0)51 48 73 19
	Designer: S. Ola	
	Date: 30/10/2014	
All rights reserved. Reproduction in whole or in part is prohibited without the written consent of Haelvoet NV Drawing nr.: T-025857 Revision nr.: °		



	ID	Description	Q
1	A-021858	FS3032	1
2	P-026741	support FS3 Olympia Hospital XLow	1
3	R-001694	rivet A2/A2 4.8x14	4

	Scale: 1 : 10	
	Designer: Sebastian Ola	
	Date: 18/05/2016	
Description: assembly undercarriage Olympia Hospital XLow - options		
All rights reserved. Reproduction in whole or in part is prohibited without the written consent of Haelvoet NV Drawing nr.: T-029655 Revision nr.: a		
		L. Bekaertstraat 8 - 8770 Ingelmunster, Belgium Tel.: +32(0)51 48 66 95 Fax.:+32(0)51 48 73 19

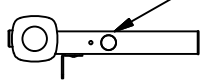
T-027903

C

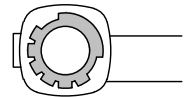
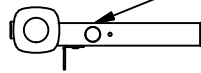
Options

ID.	Description
A	UBL-MJB013
B	MJB004000-1023
C	frame mattress platform LA40 - Atmosphere

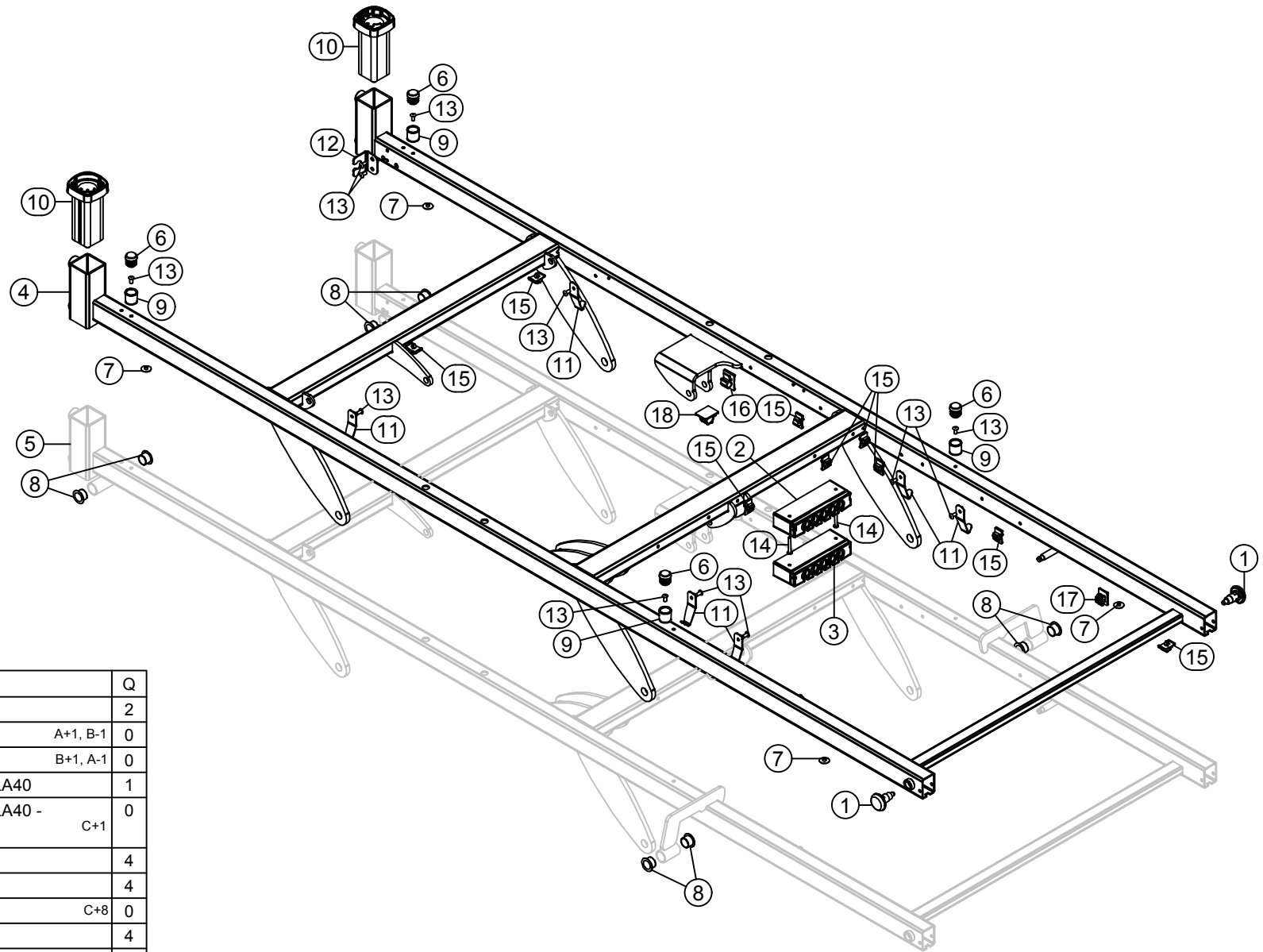
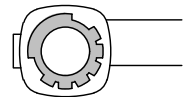
synthetic mattress platform



metal or solid laminate platform



Orientation accessories case



ID	Description	Q
1	A-003883 spring button bed extension	2
2	A-013152 junction box+UBL-MJB013	A+1, B-1 0
3	A-013153 junction box MJB0004000-1023	B+1, A-1 0
4	A-022604 Olympia XLow - frame mattress platform LA40	1
5	A-022807 Olympia XLow - frame mattress platform LA40 - Atmosphere	C+1 0
6	AD000788 cap HR 20mm	4
7	AD010725 cap inbus 17/5.2	4
8	GL000553 bearing 1618-12	C+8 0
9	P-006193 support mattress platform part	4
10	P-017129 accessory case	2
11	P-020901 accessories hook XLow	6
12	P-022212 Olympia XLow - pull relief cable plate	1
13	R-000461 rivet Alu/St 4.8x10	12
14	S-003134 screw Din7981C-4.2x32	A+2, B+2 0
15	ST002069 cable clip 7-8mm (push-in)	9
16	ST002070 cable clip 9-10mm (push-in)	1
17	ST006353 retaining clip 7-8 (self-adhesive)	1
18	ST011063 retaining clip 12-14 (self-adhesive)	1

Description:

Olympia Hospital XLow II - mattress platform frame

All rights reserved. Reproduction in whole or in part is prohibited without the written consent of Haelvoet NV

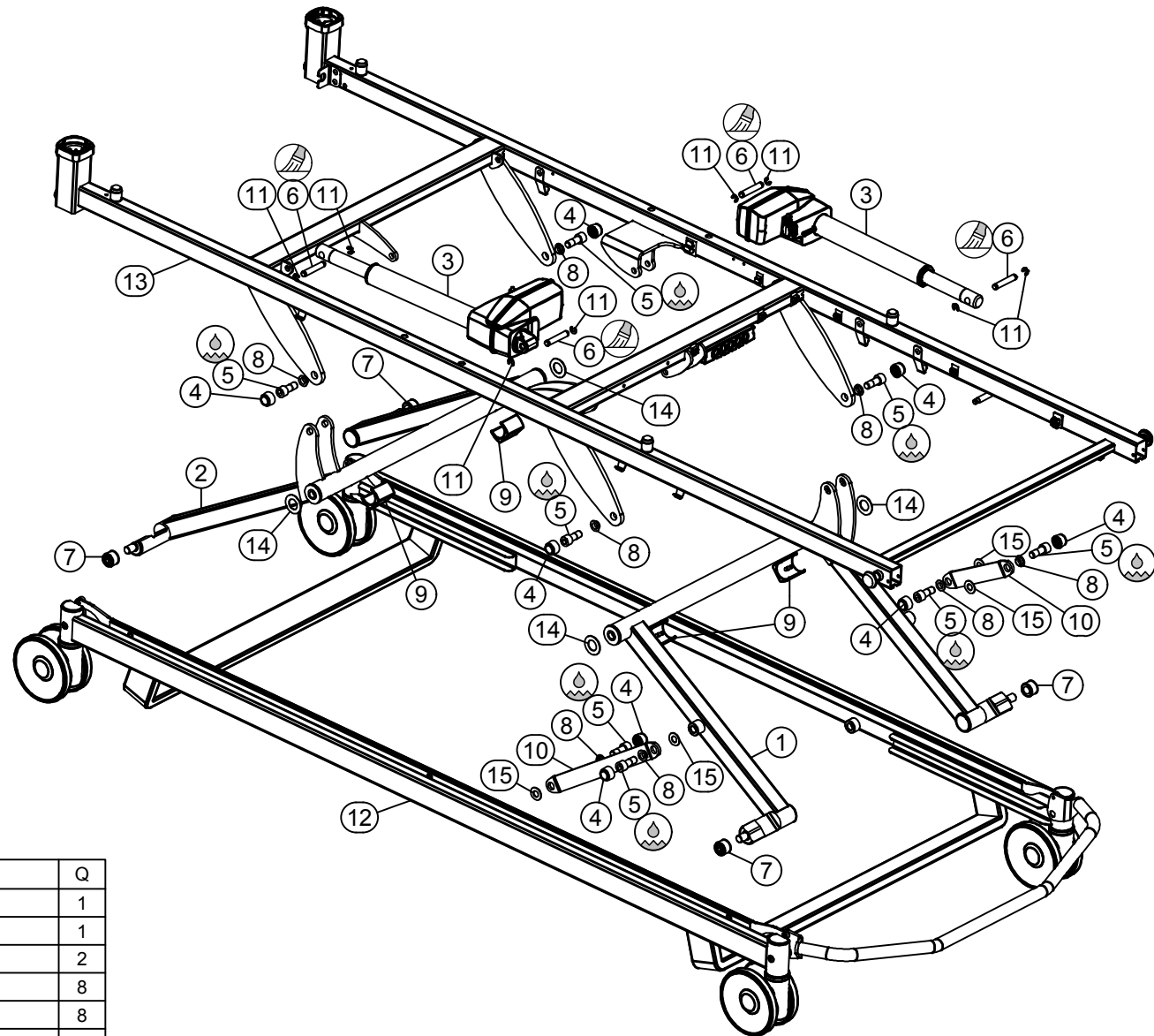
Drawing nr.: T-027903 Revision nr.: c

Scale: 1 : 10

Designer:
Ionut I.

Date: 16/09/2015

L. Bekaertstraat 8 - 8770 Ingelmunster, Belgium
Tel.: +32(0)51 48 66 95 Fax.:+32(0)51 48 73 19



ID	Description	Q
1	A-021822 Olympia Hospital XLow - HL arm foot side II	1
2	A-021823 Olympia Hospital XLow - HL arm head side II	1
3	A-022355 actuator LA40 J08908	2
4	AD003053 grey cap M12	8
5	B-003235 bolt Din912-M12x30x14-8.8 GV white	8
6	DC000449 axle motor	4
7	DC024248 HL wheel II XLow bed	4
8	GI000620 bearing 1214-06	8
9	P-019079 saddele base 32-35	4
10	P-020279 Olympia Hospital XLow - HL stabiliser	2
11	ST010662 axle locking ring 14/7x1.3	8
12	T-025857 Olympia Hospital XLow - undercarriage III	1
13	T-027903 Olympia Hospital XLow II - mattress platform frame	1
14	VL002364 bearing flange 2036-015	4
15	VI000638 bearing flange 1224-015	4

Description:

Olympia Hospital XLow II - Mattress platform + HL

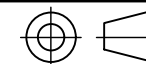
All rights reserved. Reproduction in whole or in part is prohibited without the written consent of Haelvoet NV

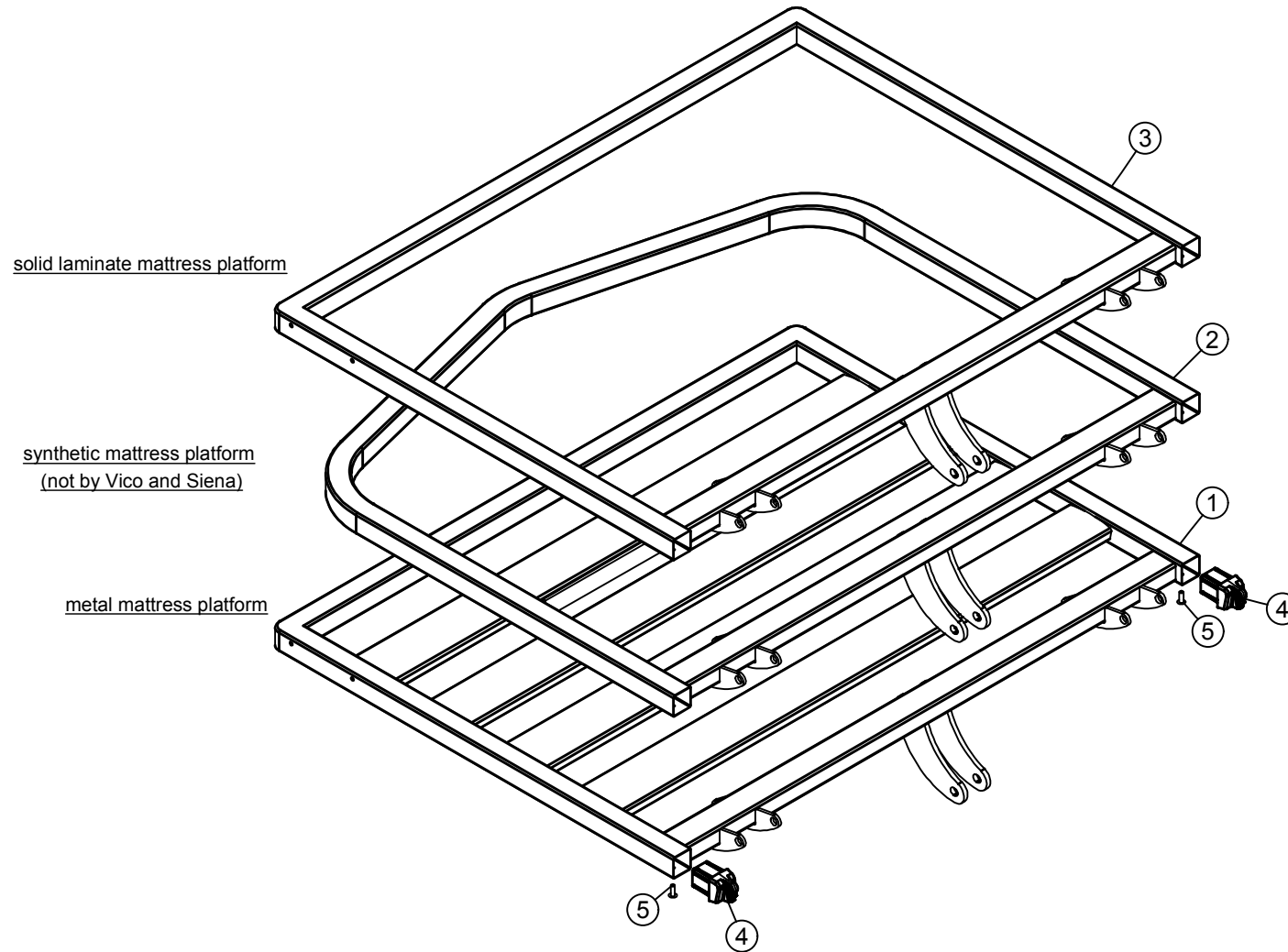
Drawing nr.: T-027904 Revision nr.: b

Scale: 1:12


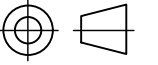
Designer:
Ionut I.

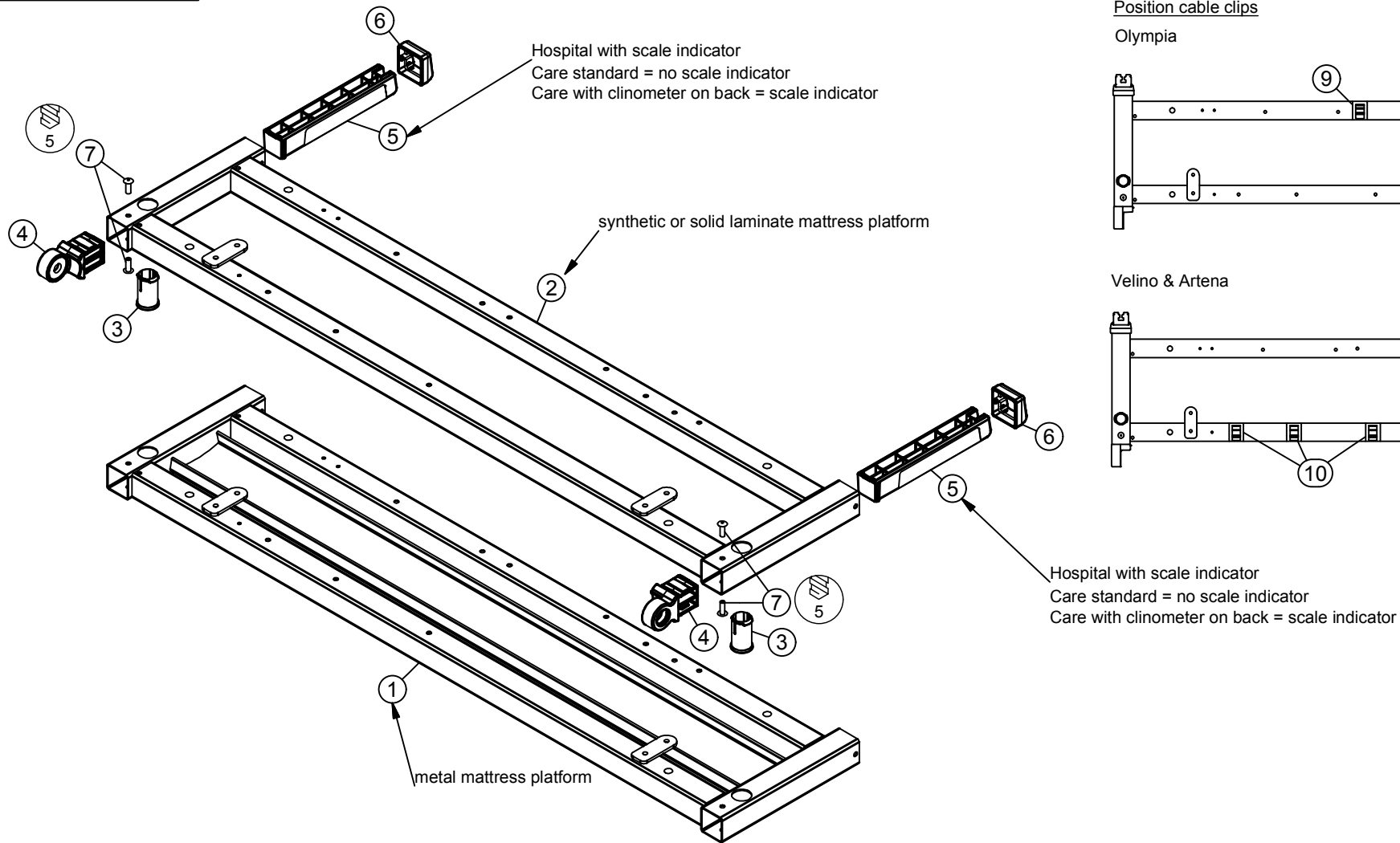
Date: 16/09/2015

L. Bekaertstraat 8 - 8770 Ingelmunster, Belgium
Tel.: +32(0)51 48 66 95 Fax.: +32(0)51 48 73 19



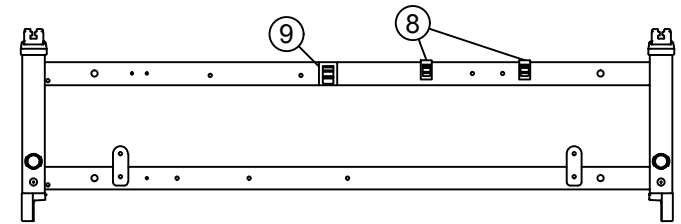
	ID	Description	Q
1	A-014439	frame backrest metal II	1
2	A-014440	frame backrest synthetic II	1
3	A-020161	frame backrest solid laminate II	1
4	P-018208	hinge virtual pivot	2
5	R-001694	rivet A2/A2 4.8x14	2

	Scale: 1 : 8	
	Designer: David V.	
	Date: 25/09/2012	
Description: backrests II		
All rights reserved. Reproduction in whole or in part is prohibited without the written consent of Haelvoet NV Drawing nr.: T-020554 Revision nr.: a		
		L. Bekaertstraat 8 - 8770 Ingelmunster, Belgium Tel.: +32(0)51 48 66 95 Fax.:+32(0)51 48 73 19

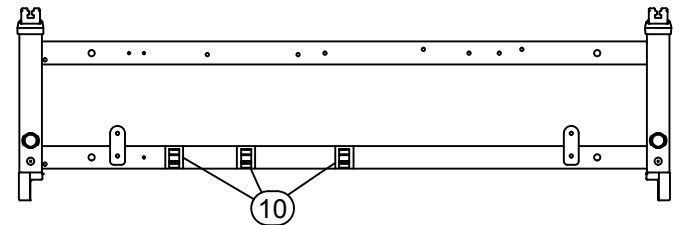


Position cable clips


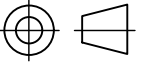
Olympia



Velino & Artena

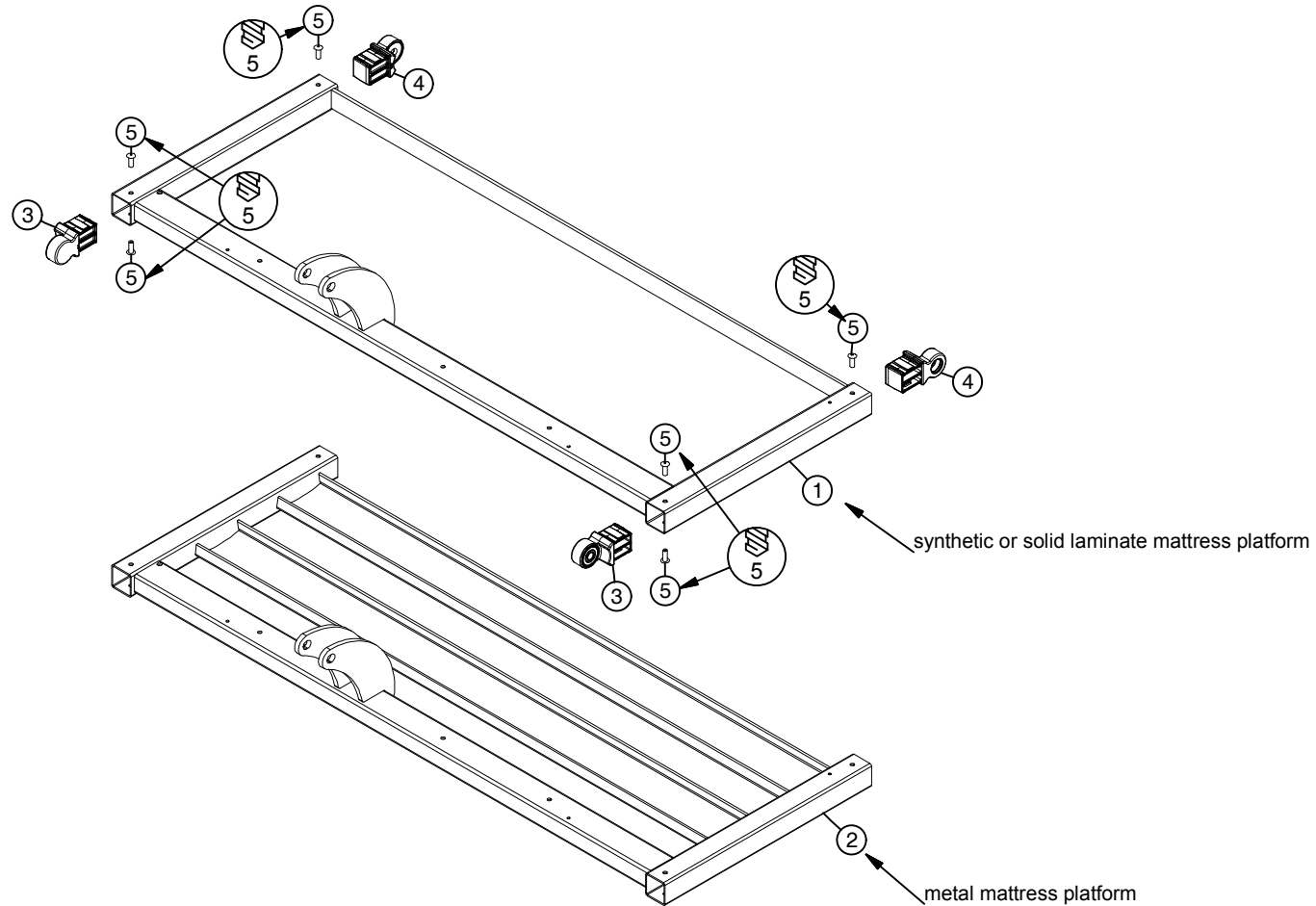


ID	Description	Q
1	A-014436 fixed part metal II	1
2	A-014437 fixed part synthetic II	1
3	P-006195 case for handset	2
4	P-016277 hinge mattress platform part 2	2
5	P-018209 guiding lath virtual pivot	2
6	P-018210 cap fixed part	2
7	R-001694 rivet A2/A2 4.8x14	4
8	ST002069 cable clip 7-8mm (push-in)	2
9	ST002070 cable clip 9-10mm (push-in)	1
10	ST002071 cable clip 12-14mm (push-in)	3


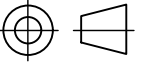
Description: fixed part II Olympia, Velino & Artena	Scale: 1 : 6	
	Designer: David V.	
All rights reserved. Reproduction in whole or in part is prohibited without the written consent of Haelvoet NV	Date: 15/11/2012	
	L. Bekaertstraat 8 - 8770 Ingelmunster, Belgium Tel.: +32(0)51 48 66 95 Fax.:+32(0)51 48 73 19	
Drawing nr.: T-020869 Revision nr.: ©		

T-013703

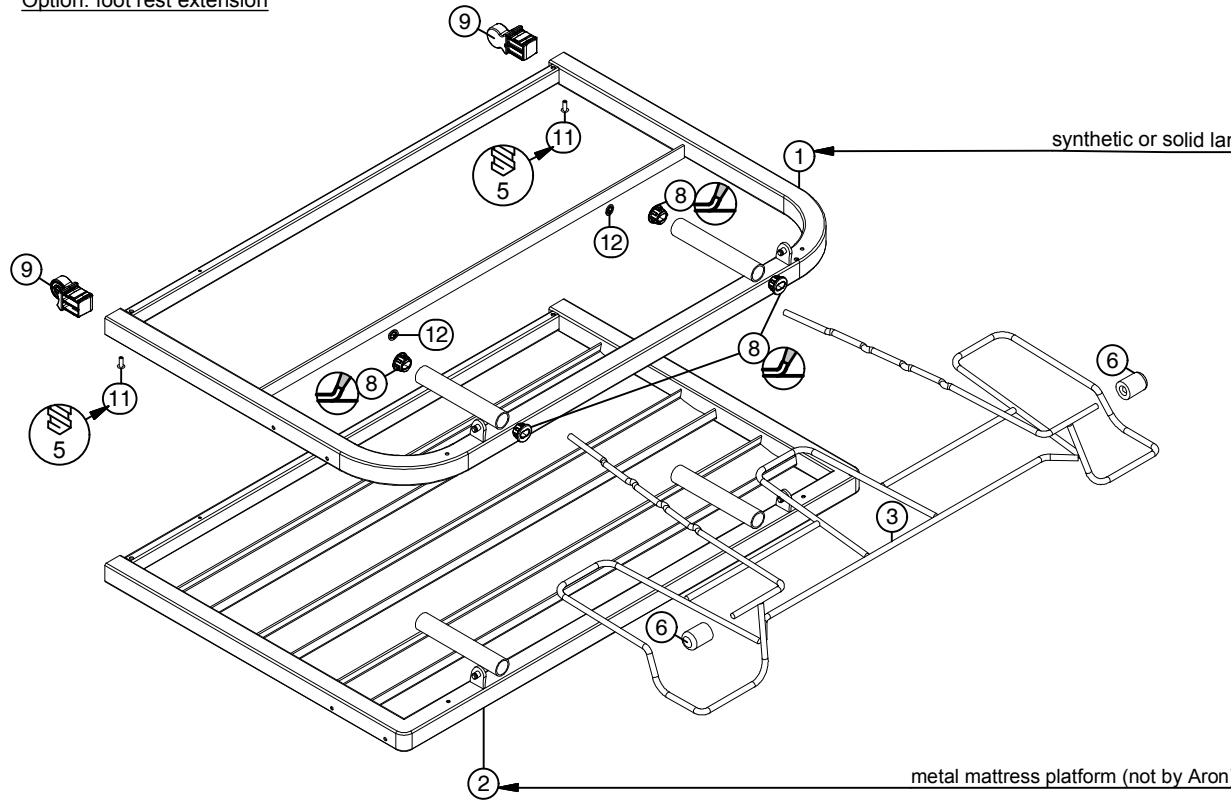
a



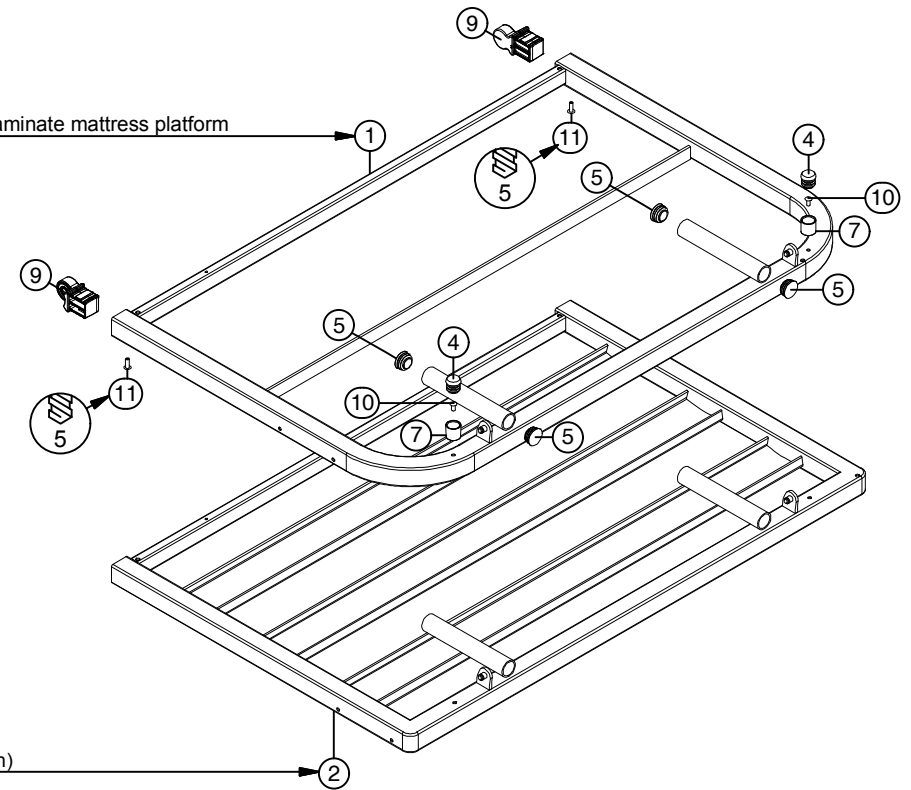
	ID	Description	Q
1	A-012265	frame knee rest synthetic	1
2	A-012488	frame knee rest metal	1
3	P-016276	hinge mattress platform part 1	2
4	P-016277	hinge mattress platform part 2	2
5	R-001694	inox rivet 4.8x14	6

	Scale: 1:8	
	Designer: David V.	
	Date: 4/02/2010	
Description: knee rest		
All rights reserved. Reproduction in whole or in part is prohibited without the written consent of Haelvoet NV Drawing nr.: T-013703 Revision nr.: a		
L. Bekaertstraat 8 - 8770 Ingelmunster, Belgium Tel.: +32(0)51 48 66 95 Fax.:+32(0)51 48 73 19		


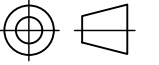
Option: foot rest extension



Standard



ID	Description	Q
1	A-012323 frame foot rest synthetic	1
2	A-012489 frame foot rest metal	1
3	A-014443 foot rest extension II	1
4	AD000788 cap HR 20mm	2
5	AD000890 cap PR 25mm	4
6	DC014563 wheel foot rest	2
7	P-006193 support mattress platform part	2
8	P-006705 guide cap feet extension	4
9	P-016276 hinge mattress platform part 1	2
10	R-000461 rivet Alu/St 4.8x10	2
11	R-001694 rivet A2/A2 4.8x14	2
12	ST002145 push-on-fastener 8mm	2

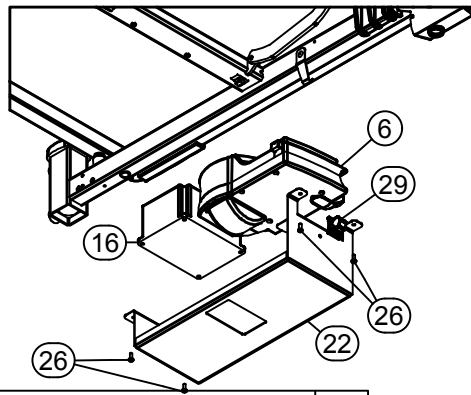
	Scale: 1 1 100	
	Designer: David V.	
	Date: 5/02/2010	
Description: foot rest		L. Bekaertstraat 8 - 8770 Ingelmunster, Belgium Tel.: +32(0)51 48 66 95 Fax.:+32(0)51 48 73 19

All rights reserved. Reproduction in whole or in part is prohibited without the written consent of Haelvoet NV

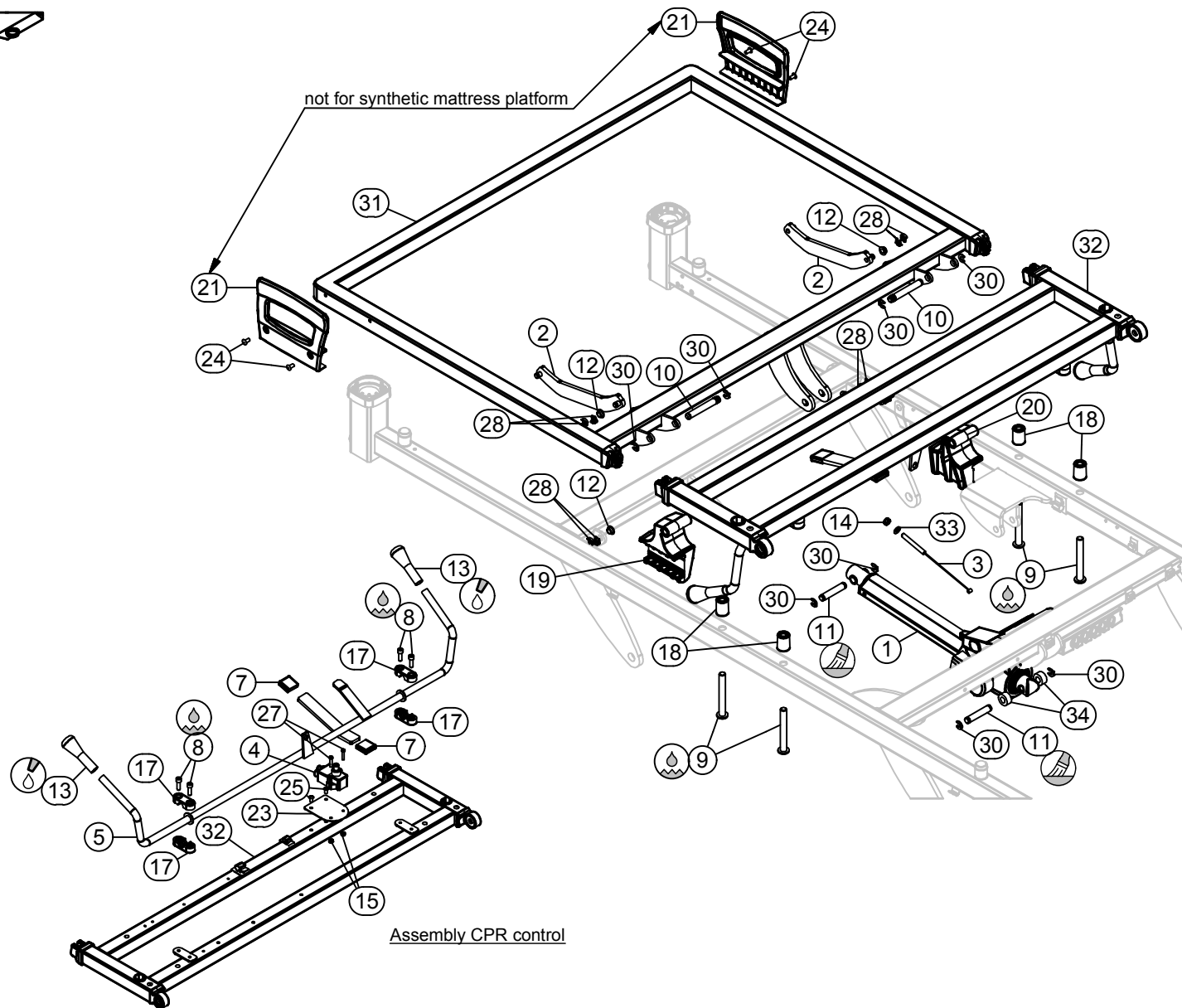
Drawing nr.: T-013704 Revision nr.: b


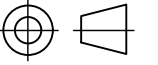
T-022337

f



ID	Description	Q
1	A-003237 actuator Linak 270295	1
2	A-012622 pulling mechanism backrest	2
3	A-012832 pull cable quick release	1
4	A-013395 SLS353	(option) 1
5	A-020169 handle CPR release XLow	1
6	A-023252 control box CB6782	1
7	AD016002 cap fork 25x6 L25	2
8	B-000652 bolt Din912-M6x20x20-8.8 GV white	4
9	B-005769 bolt Iso 7380-M10x80x80-10.9 GV white	4
10	DC006490 axle retracting system	2
11	DC015887 axle motor	2
12	GL000510 bearing 081014-05	4
13	HG000324 handle (red)	2
14	M-000137 check nut Din985-M6	3
15	M-002941 check nut Din985-M4	(option) 2
16	MT000444 BA1811-0900	1
17	P-005501 support CPR release	4
18	P-006532 support fixed part	4
19	P-011301 sliding piece backrest R	1
20	P-012494 sliding piece backrest L	1
21	P-015467 handle mattress platform	2
22	P-015542 supporting plate CB06+BA18	1
23	P-016003 switch supporting plate	(option) 1
24	R-000461 rivet Alu/St 4.8x10	4
25	R-004530 rivet A2/A2 4.8x10	(option) 2
26	S-000830 screw Din7981C-4.2x13	6
27	S-004699 screw Din84-4x20-4.8-GV	(option) 2
28	ST000797 springfix diam.8	8
29	ST002071 cable clip 16-18mm (push-in)	1
30	ST010662 axle locking ring 14/7x1.3	4
31	T-020554 frame backrest II	1
32	T-020869 fixed part II	1
33	VL000421 washer Din125A-M6-GV	1
34	VL001176 synthetic washer 20x10x10	2

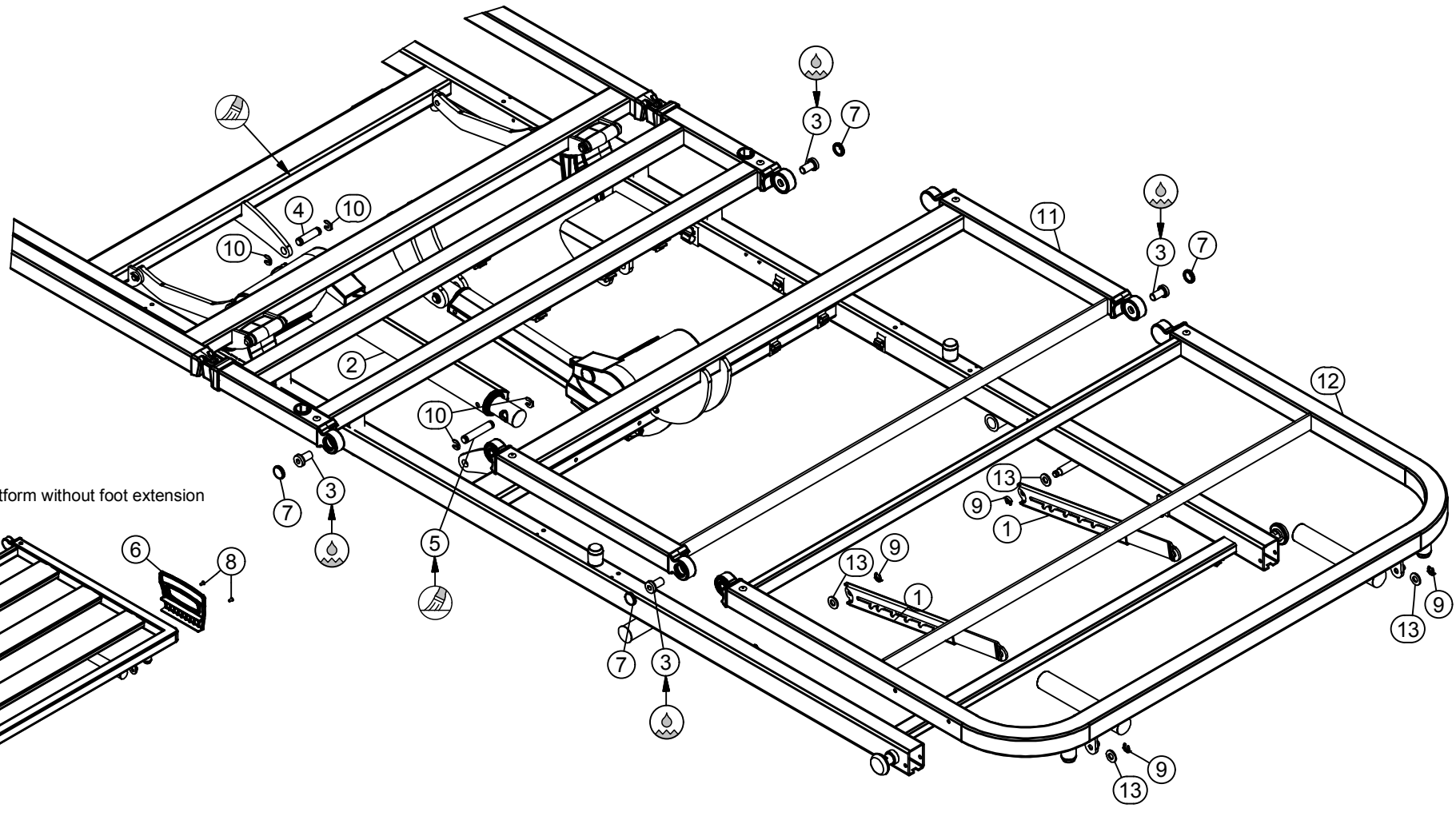
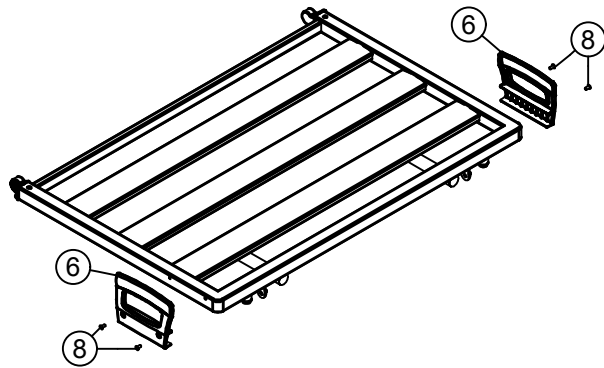


Description: assembly backrest Olympia Hospital XLow	Scale: 1 : 11	
	Designer: sebastian.ola	
	Date: 9/07/2013	
All rights reserved. Reproduction in whole or in part is prohibited without the written consent of Haelvoet NV Drawing nr.: T-022337 Revision nr.: f		


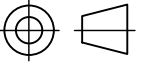
T-020850

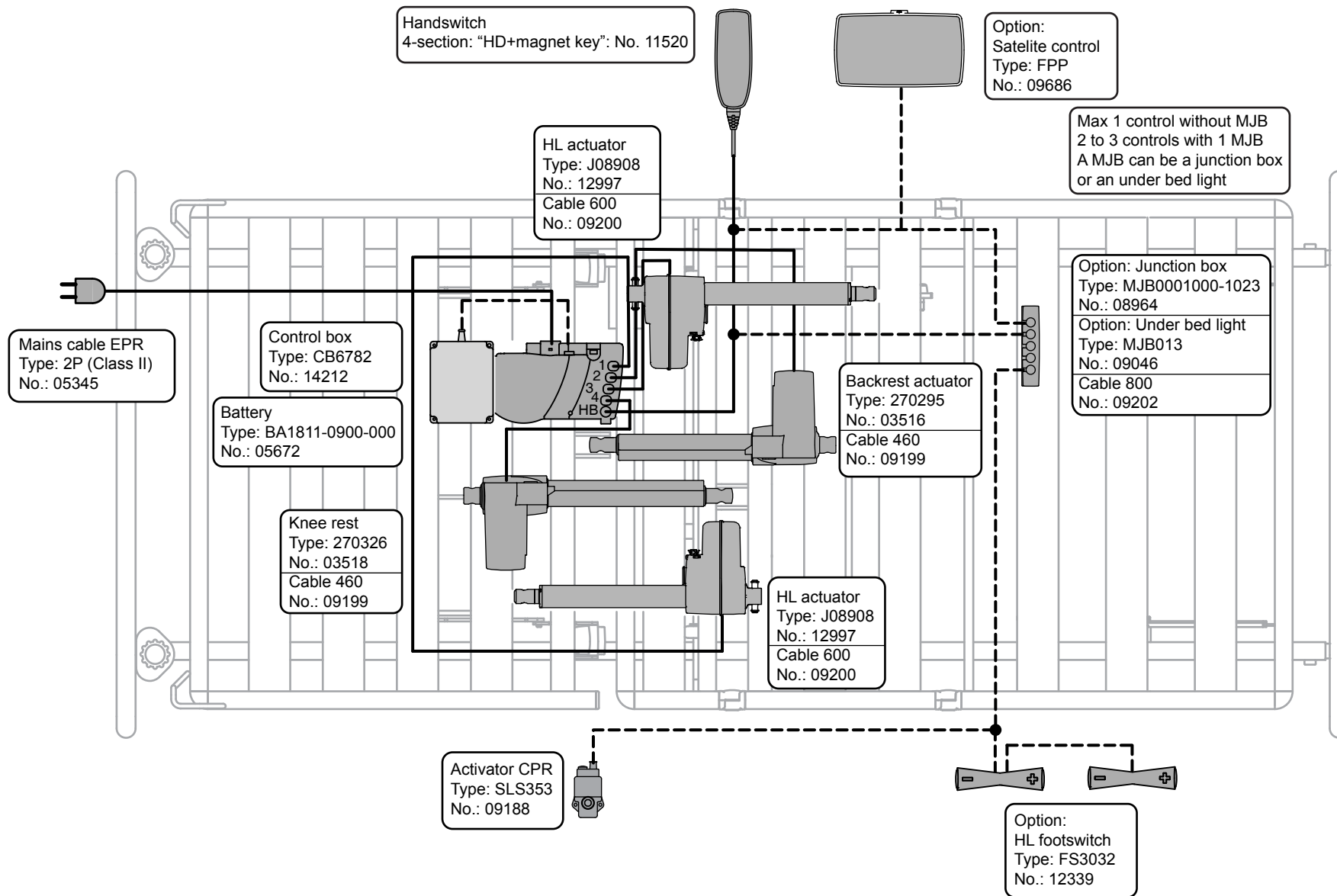
b


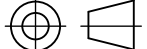
Metal or solid laminate mattress platform without foot extension



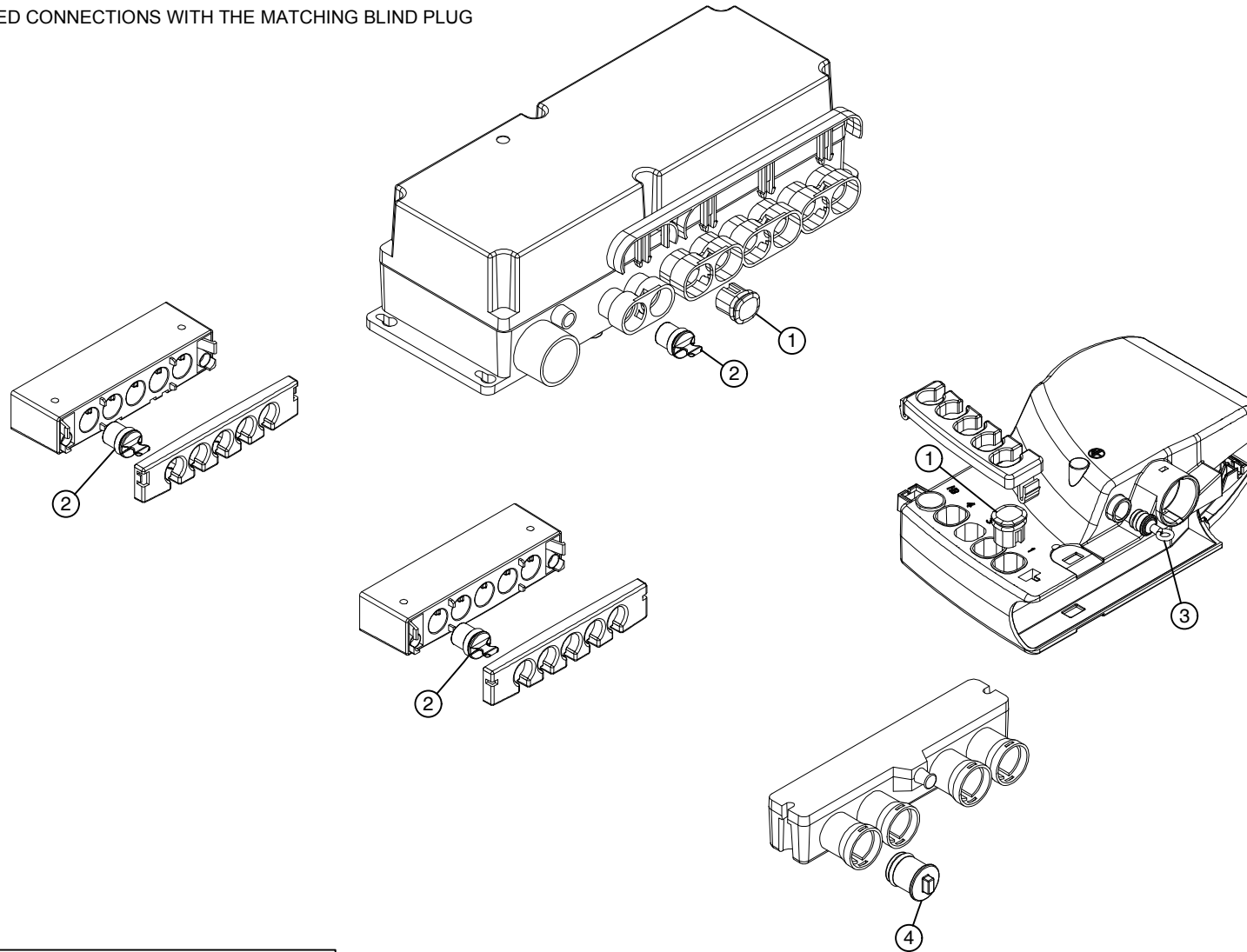
ID	Description	Q
1	A-000651 telescopic adjust 215-355	2
2	A-012560 actuator Linak 270326	1
3	B-003317 bolt-M10x18x12-GV white	4
4	DC010663 axle type 1-10x30	1
5	DC015887 axle motor	1
6	P-015467 handle mattress platform	2
7	P-020447 cover cap mattress platform hinge	4
8	R-000461 rivet Alu/St 4.8x10	4
9	ST000797 springfix diam.8	4
10	ST010662 axle locking ring 14/7x1.3	4
11	T-013703 frame knee rest	1
12	T-013704 frame foot rest	1
13	VL010643 synthetic washer 17x8.6x2	4

	Scale: 1 : 8	
	Designer: David V.	
	Date: 7/11/2012	
Description: assembly knee and foot rest		
All rights reserved. Reproduction in whole or in part is prohibited without the written consent of Haelvoet NV Drawing nr.: T-020850 Revision nr.: b		
L. Bekaertstraat 8 - 8770 Ingelmunster, Belgium Tel.: +32(0)51 48 66 95 Fax.:+32(0)51 48 73 19		


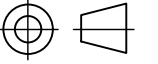


Description: Circuit diagram Olympia Hospital Xlow	Designer: David V.	 L. Bekaertstraat 8 - 8770 Ingelmunster, Belgium Tel.: +32(0)51 48 66 95 Fax.: +32(0)51 48 73 19
	Date: 7/11/2012	
All rights reserved. Reproduction in whole or in part is prohibited without the written consent of Haelvoet NV		

CLOSE OFF ALL UNUSED CONNECTIONS WITH THE MATCHING BLIND PLUG

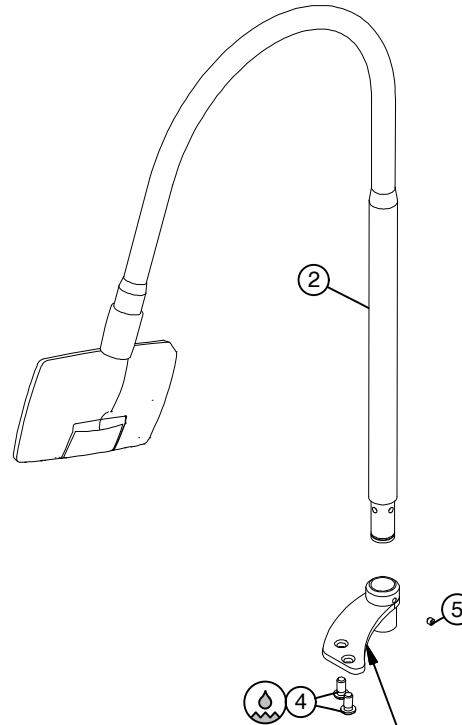
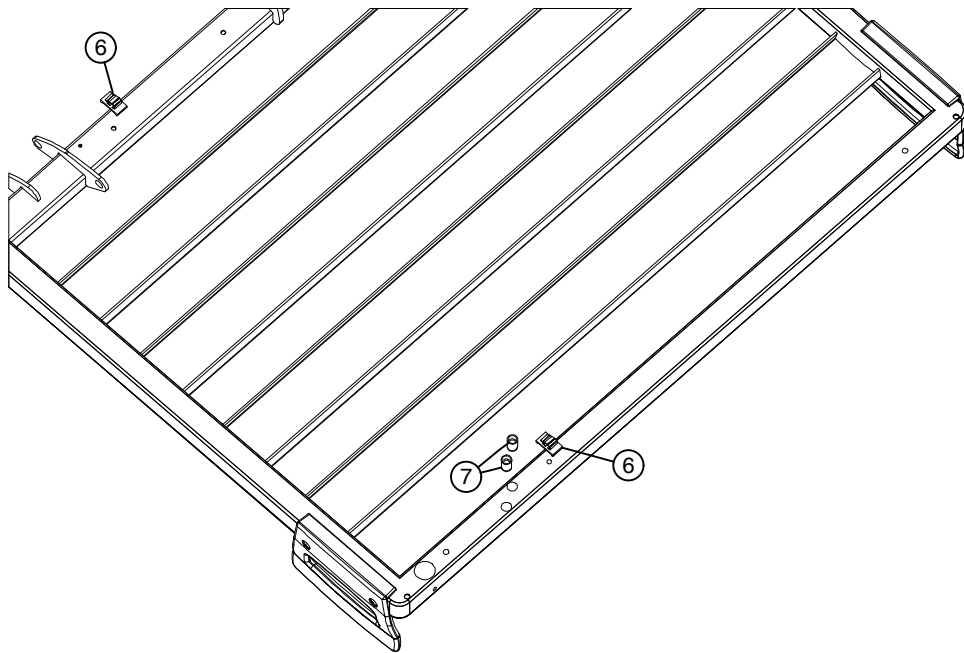
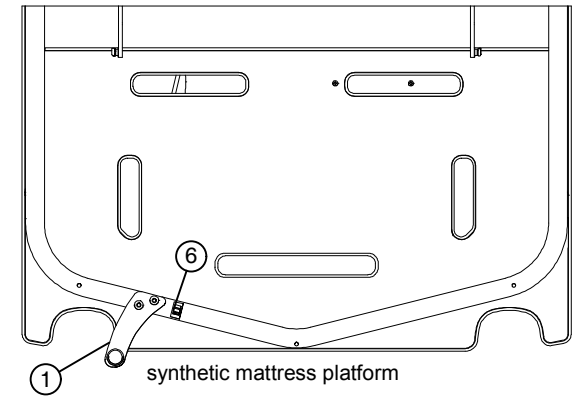
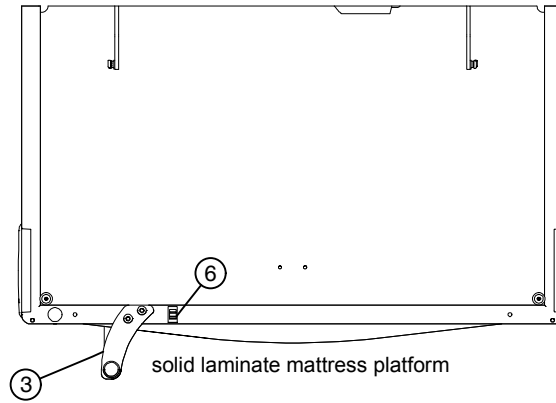
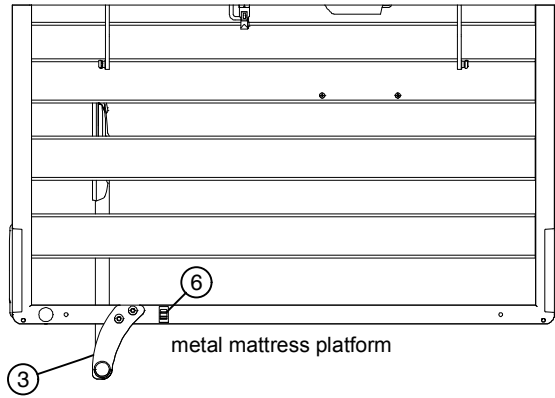


	ID	Description
1	MT015038	blind plug CB
2	MT015941	blind plug MJB
3	MT015942	blind plug BA
4	MT015943	blind plug DJB

	Scale: 1 : 4	
	Designer: David V.	
	Date: 14/10/2009	
Description: overview blind plugs		
All rights reserved. Reproduction in whole or in part is prohibited without the written consent of Haelvoet NV Drawing nr.: T-013347 Revision nr.: a		
		L. Bekaertstraat 8 - 8770 Ingelmunster, Belgium Tel.: +32(0)51 48 66 95 Fax.:+32(0)51 48 73 19

T-014206

e



the support control board FPP is dependent on the mattress platform!

ID	Description	Q
1	A-013673 support type 1 control board FPP (Alternative)	1
2	A-013815 control board FPP	1
3	A-022721 support type 2 control board FPP (Alternative)	1
4	B-010844 bolt Iso7380-M8x16x16-10.9 GV white-LC	2
5	S-001276 set screw Din914-M6x6	1
6	ST002069 cable clip 7-8mm (push-in)	2
7	ST010602 insert small countersunk-M8x16-St GV	2

Description:
assembly control board FPP

All rights reserved. Reproduction in whole or in part is prohibited without the written consent of Haelvoet NV

Drawing nr.: T-014206 Revision nr.: e

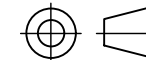
Scale: 1 : 10

Designer:
David V.

Date: 07/06/2010

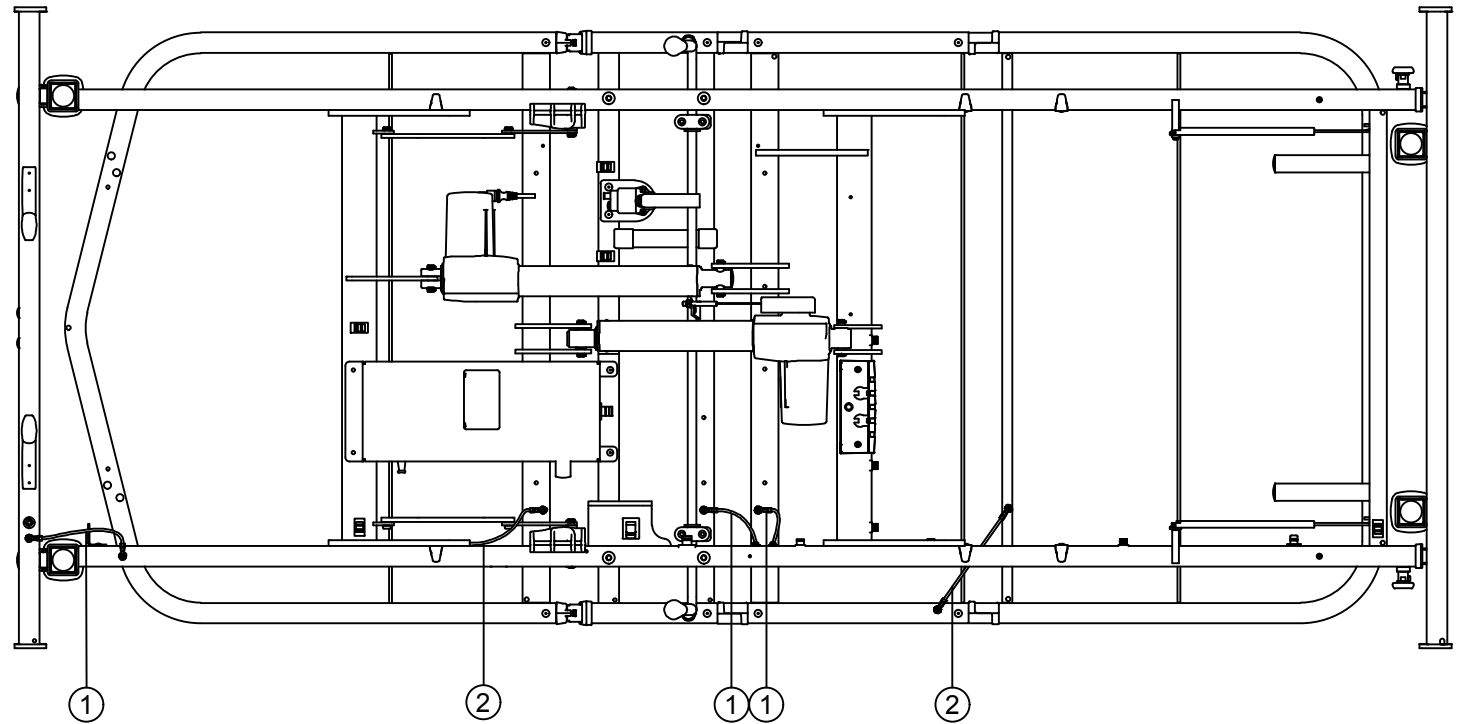
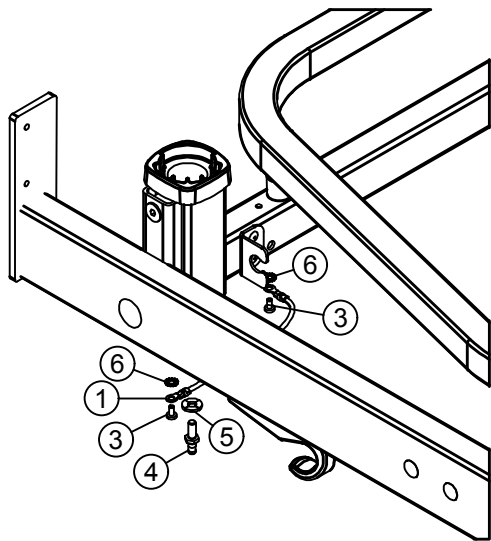


L. Bekaertstraat 8 - 8770 Ingelmunster, Belgium
Tel.: +32(0)51 48 66 95 Fax.:+32(0)51 48 73 19


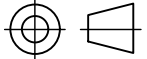


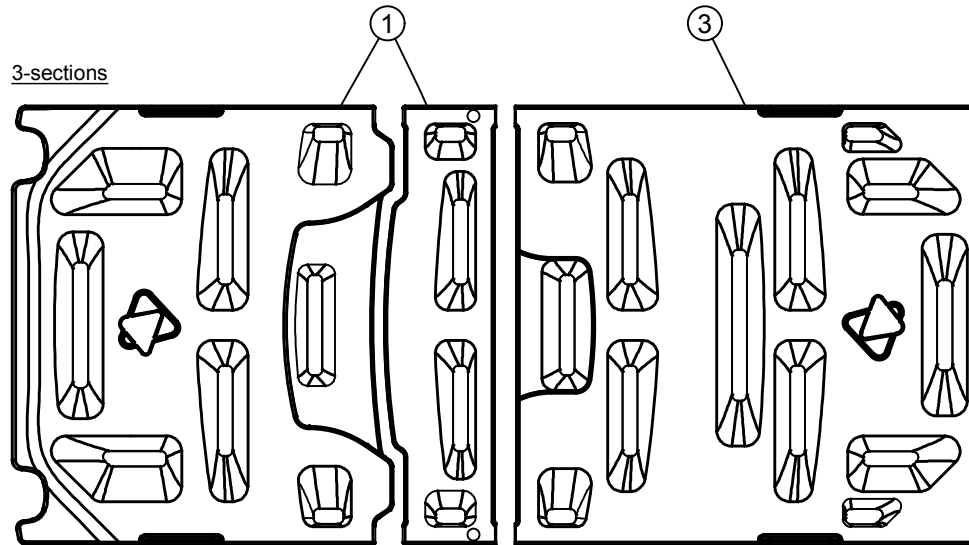
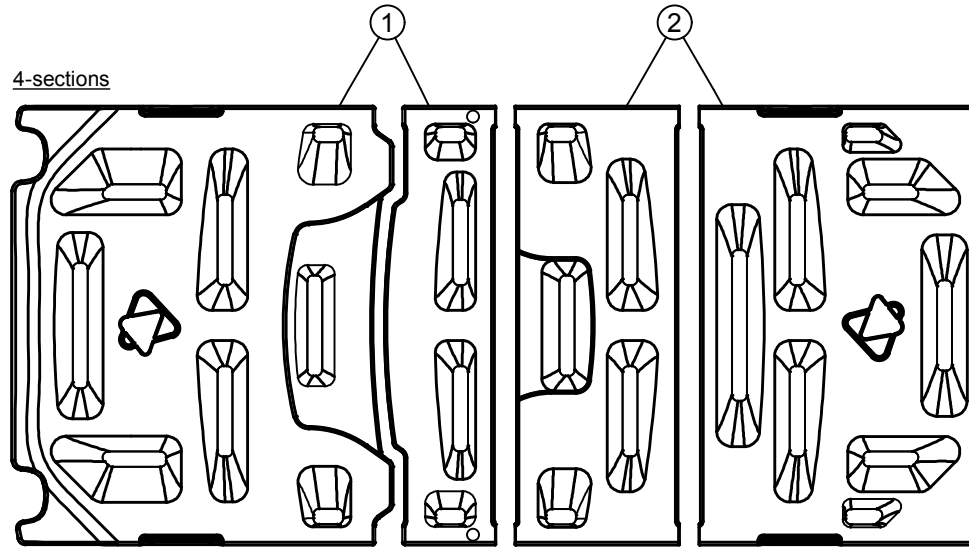
T-022411

b


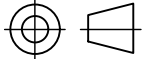


	ID	Description	Q
1	A-001971	equipotential connection L150	3
2	A-003884	equipotential connection L180	2
3	S-004413	screw Din7500 (TT85TX)-M4x8	10
4	ST003904	plug Din42801-L30	1
5	ST003905	washer equipotential connection	1
6	VL003951	washer Din6798A-M5	10

	Scale: 1 : 11	
	Designer: sebastian.ola	
	Date: 16/07/2013	
Description: equipotential connection Olympia XLow		
All rights reserved. Reproduction in whole or in part is prohibited without the written consent of Haelvoet NV Drawing nr.: T-022411 Revision nr.: b		
L. Bekaertstraat 8 - 8770 Ingelmunster, Belgium Tel.: +32(0)51 48 66 95 Fax.:+32(0)51 48 73 19		

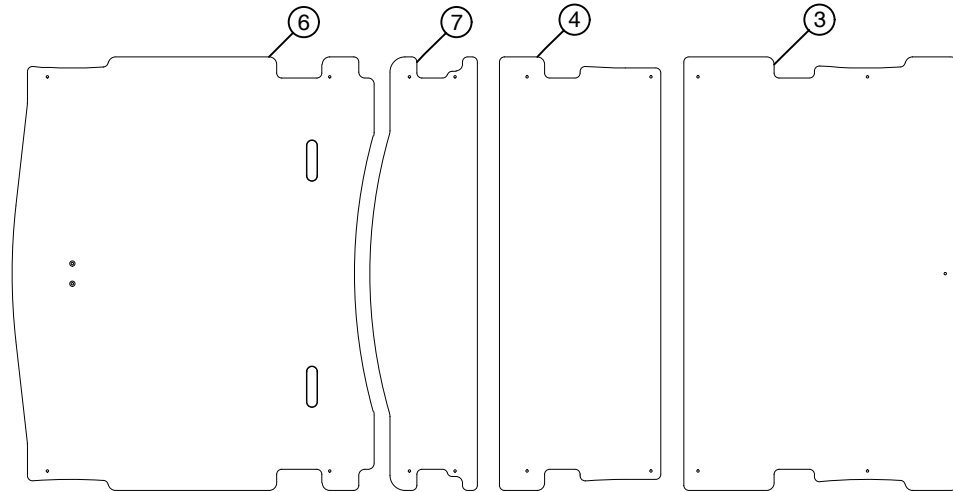


	ID	Description	Q
1	A-020191	set mattress platform plates backrest + fixed part II	1
2	A-013258	set mattress platform knee and foot rest	1
3	P-006021	mattress platform leg section	1

Description: mattress platforms II	Scale: 1 : 15	 L. Bekaertstraat 8 - 8770 Ingelmunster, Belgium Tel.: +32(0)51 48 66 95 Fax.:+32(0)51 48 73 19
	Designer: David V.	
	Date: 13/02/2013	
All rights reserved. Reproduction in whole or in part is prohibited without the written consent of Haelvoet NV		
Drawing nr.: T-021415	Revision nr.: a	

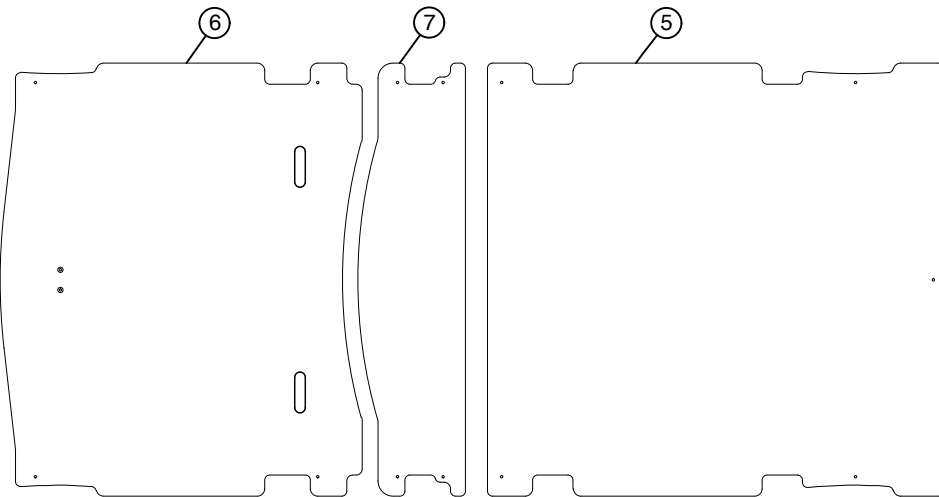
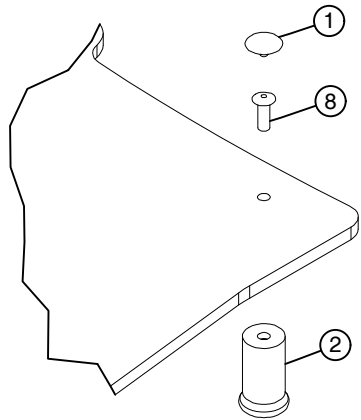
T-013727

a




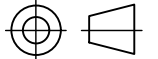
4-section mattress platform

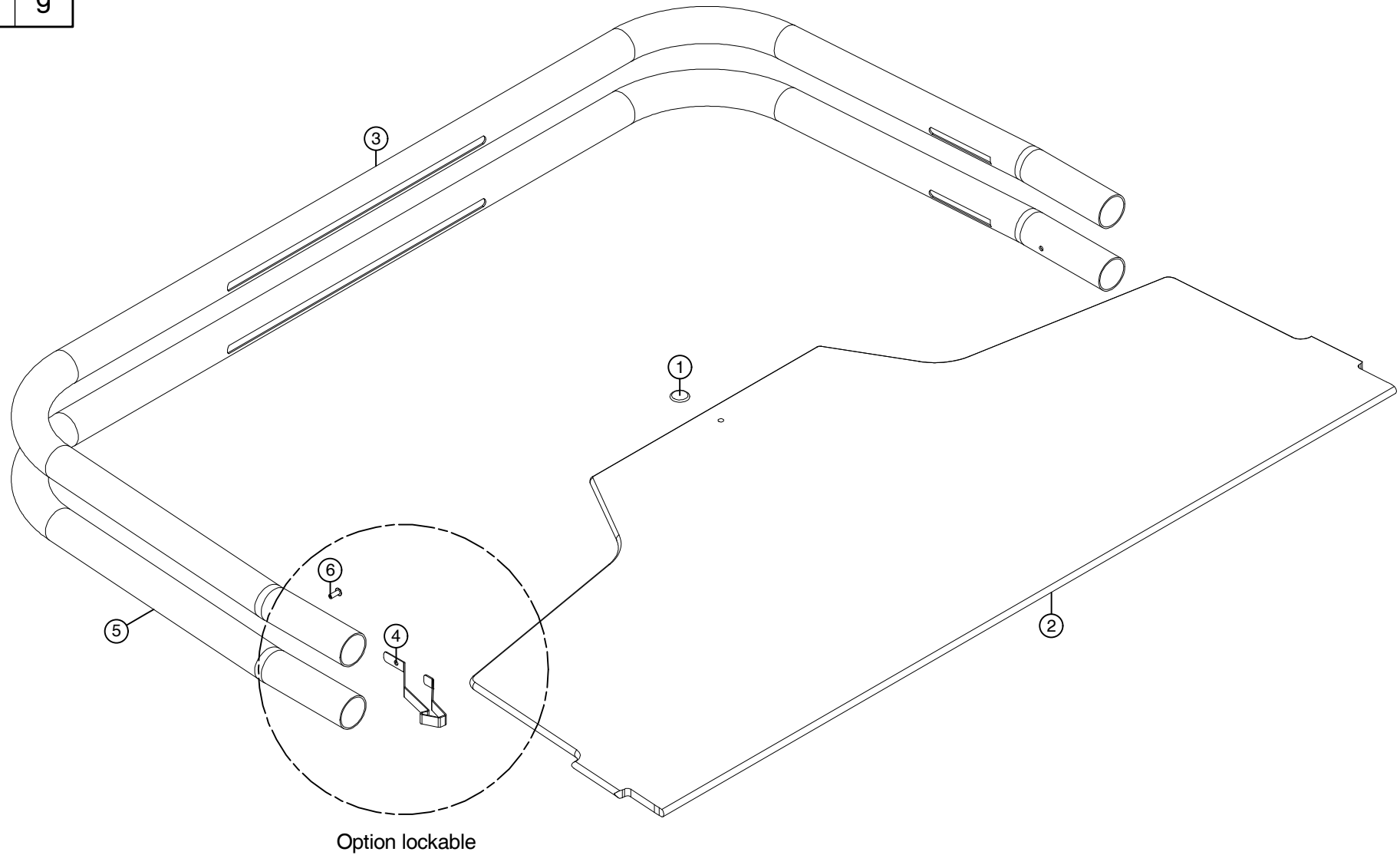
	ID	Description	Q
1	AD002198	rivet cap (grey)	17
2	DC016244	fixation HPL mattress platform	17
3	P-016254	board foot rest	1
4	P-016266	board knee rest	1
6	P-018365	mattress platform board backrest II	1
7	P-018366	mattress platform board fixed part II	1
8	R-002201	rivet Alu/St 4.8x14	17



3-section mattress platform


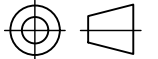
	ID	Description	Q
1	AD002198	rivet cap (grey)	13
2	DC016244	fixation HPL mattress platform	13
5	P-016290	board leg rest	1
6	P-018365	mattress platform board backrest II	1
7	P-018366	mattress platform board fixed part II	1
8	R-002201	rivet Alu/St 4.8x14	13

Description: solid laminate mattress platform	Scale: 1 : 15	 L. Bekaertstraat 8 - 8770 Ingelmunster, Belgium Tel.: +32(0)51 48 66 95 Fax.:+32(0)51 48 73 19
	Designer: David V.	
Date: 15/02/2010		
All rights reserved. Reproduction in whole or in part is prohibited without the written consent of Haelvoet NV		



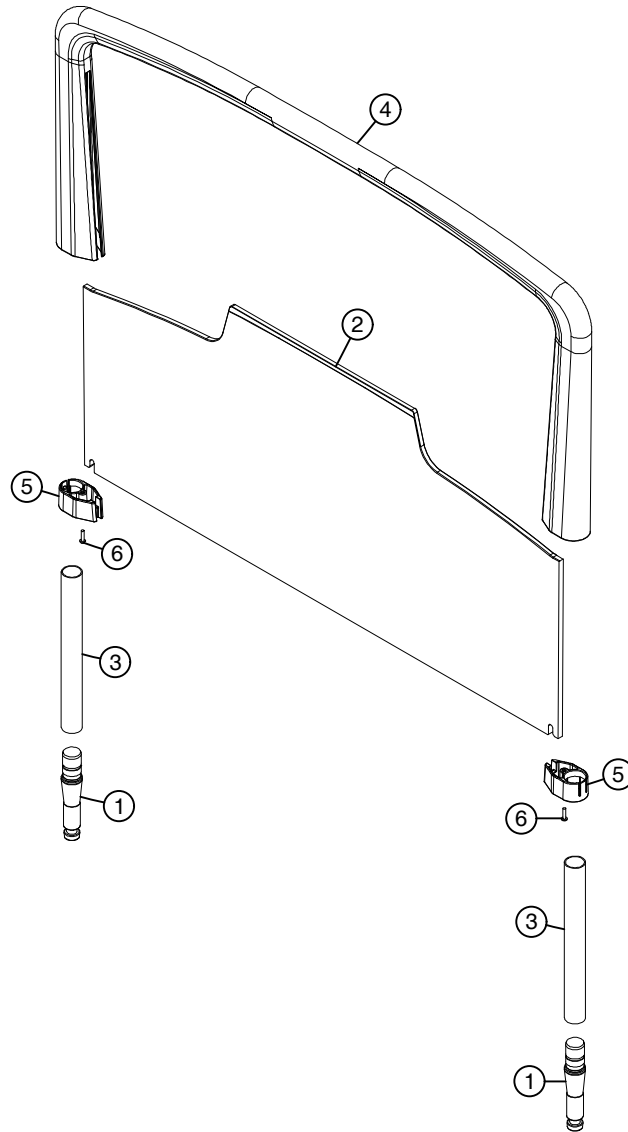
* If with double lock

ID	Description	Q
1	AD010725 cap inbus 17/5.2	1
2	P-014409 panel Vela	1
3	P-014410 brace Vela	1
4	P-016267 lock (option)	1 *(2)
5	P-027404 brace Vela - double fixation (option)	1
6	R-000459 rivet Alu/St 3.9x10 (option)	1 *(2)

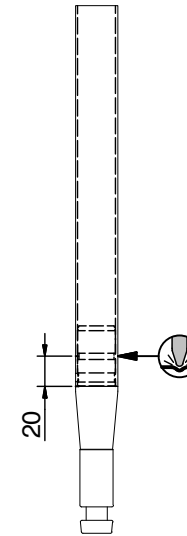
Description: Vela std.	Scale: 1 : 5	 L. Bekaertstraat 8 - 8770 Ingelmunster, Belgium Tel.: +32(0)51 48 66 95 Fax.:+32(0)51 48 73 19
	Designer: Wouter A.	
	Date: 9/10/2009	
All rights reserved. Reproduction in whole or in part is prohibited without the written consent of Haelvoet NV		
Drawing nr.: T-013331 Revision nr.: 9		


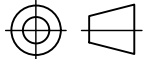
T-013330

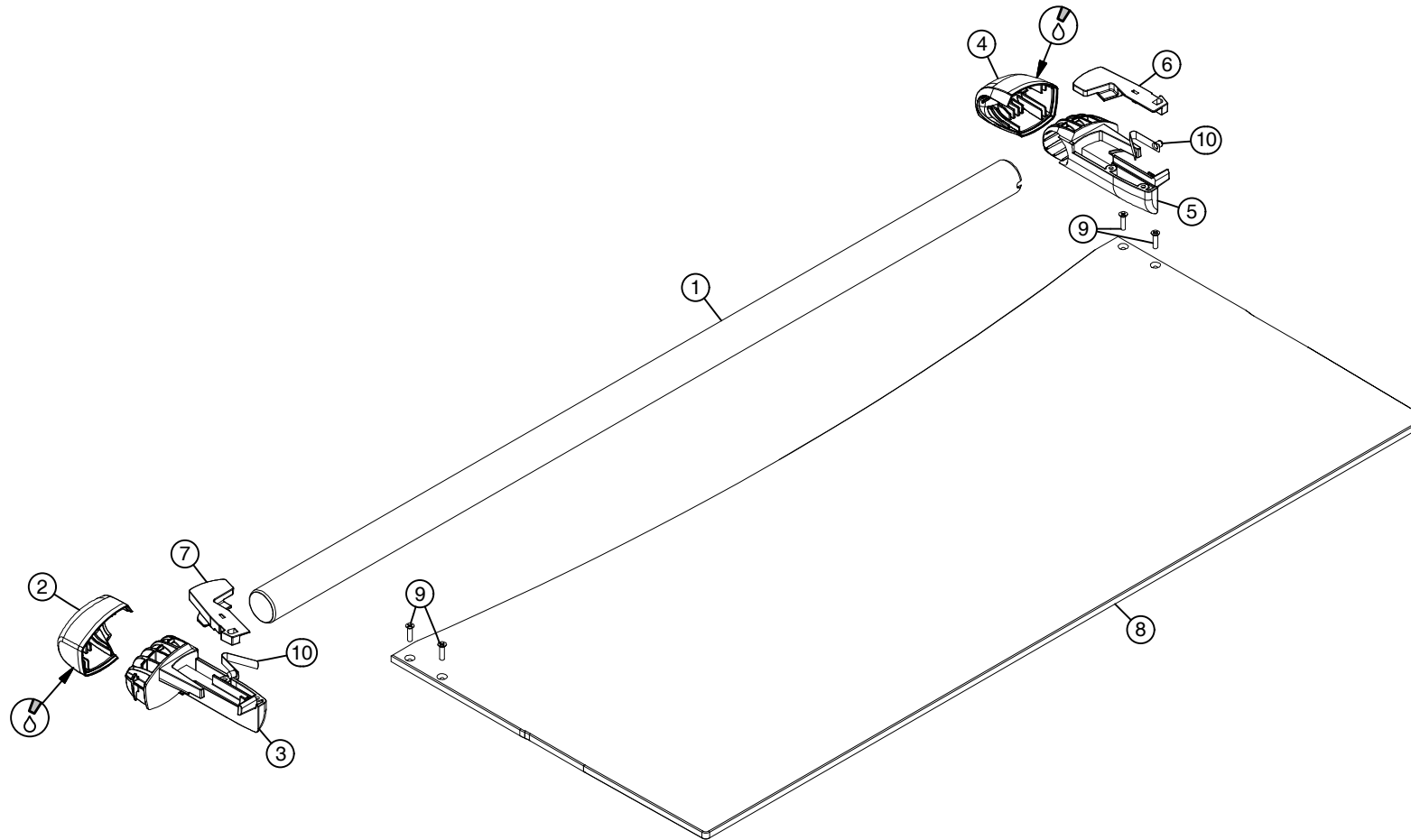
a




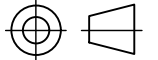
	ID	Description	Q
1	DC006638	mounting axle panel Lauro	2
2	P-006554	panel Lauro	1
3	P-006678	mounting tube panel Lauro	2
4	P-010232	frame panel Lauro	1
5	P-010233	mounting part panel Lauro	2
6	S-010234	screw CL 81Z-4x16-GV white	2



	Scale: 1 : 10	
	Designer: David V.	
	Date: 8/10/2009	
Description: panel Lauro		L. Bekaertstraat 8 - 8770 Ingelmunster, Belgium Tel.: +32(0)51 48 66 95 Fax.:+32(0)51 48 73 19
All rights reserved. Reproduction in whole or in part is prohibited without the written consent of Haelvoet NV		
Drawing nr.: T-013330 Revision nr.: a		

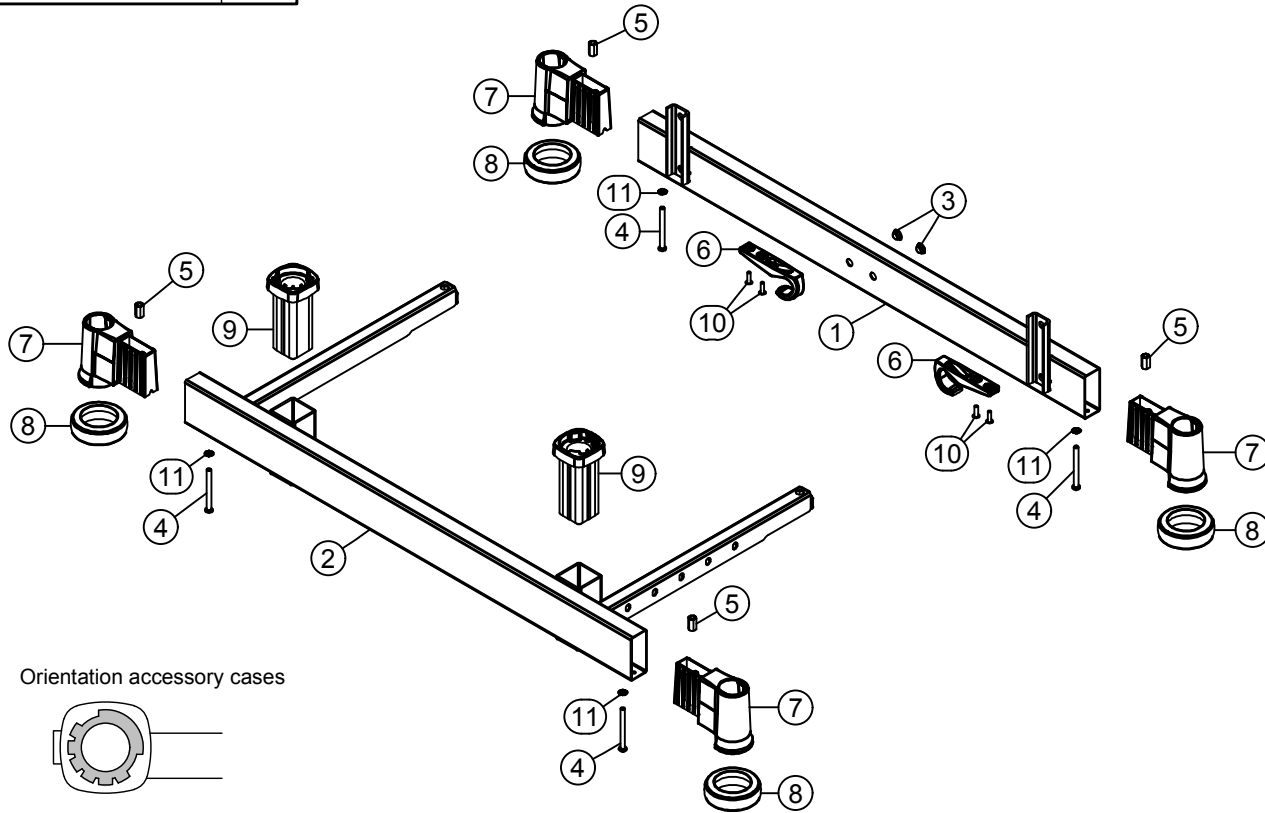


	ID	Description	Q
1	P-012468	handle Jaro	1
2	P-013256	cover Jaro L	1
3	P-013257	cap top Jaro L	1
4	P-013430	cover Jaro R	1
5	P-013431	cap top Jaro R	1
6	P-014863	locking device R	1
7	P-014864	locking device L	1
8	P-020388	panel Jaro II	1
9	S-012604	screw PLASTITE 965-4x16-GV	4
10	ST011525	spring snap dia 5.8	2

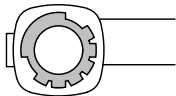
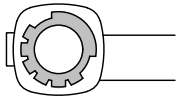
	Scale: 1 : 6	
	Designer: David V.	
	Date: 21/09/2012	
Description: front panel Jaro II		
L. Bekaertstraat 8 - 8770 Ingelmunster, Belgium Tel.: +32(0)51 48 66 95 Fax.:+32(0)51 48 73 19		
All rights reserved. Reproduction in whole or in part is prohibited without the written consent of Haelvoet NV Drawing nr.: T-020537 Revision nr.: a		

T-022352

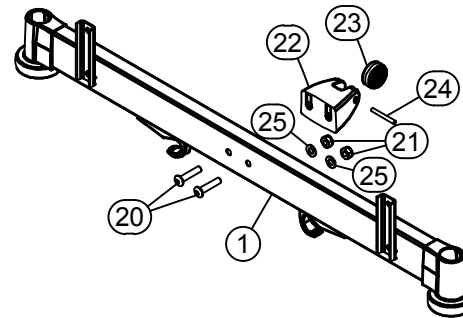
b



Orientation accessory cases

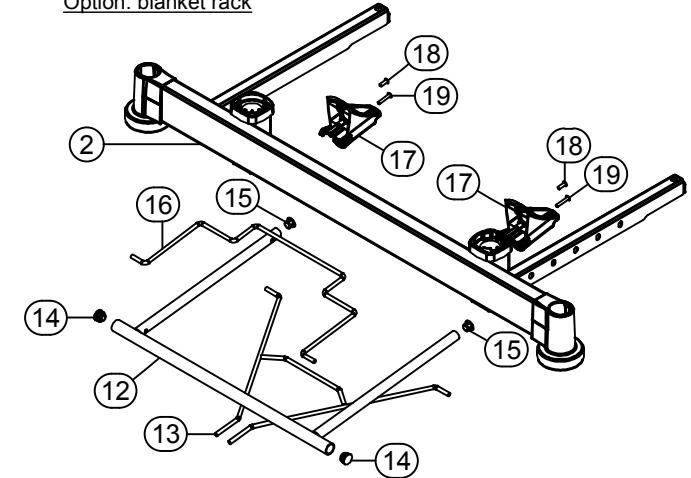


ID	Description	Q
1	A-012564 frontpanel support Lauro head side	1
2	A-013093 frontpanel support Lauro foot side/cases	1
3	AD012577 cap PR 15/11	2
4	B-010240 bolt Iso7380-M6x65x65-10.9 GV white	4
5	M-015222 nut M6x18-10 GV	4
6	P-013615 hook for power cable	2
7	P-014412 bumper wheel support 32	4
8	P-014413 bumper wheel 75	4
9	P-017129 accessory case	2
10	R-002292 rivet Alu/St 4.8x16	4
11	VL002143 washer Din6798A-M6	4




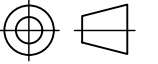
ID	Description	Q
12	A-013013 drawer frame	1
13	A-020668 blanket holder	1
14	AD004473 cap PR 18mm	2
15	AD011057 cap PL 17/13	2
16	P-015412 blanket rack	1
17	P-015470 drawer guide	2
18	R-002201 rivet Alu/St 4.8x14	2
19	R-003263 rivet Alu/St 4.8x25	2

Option: blanket rack



Option: wall protector

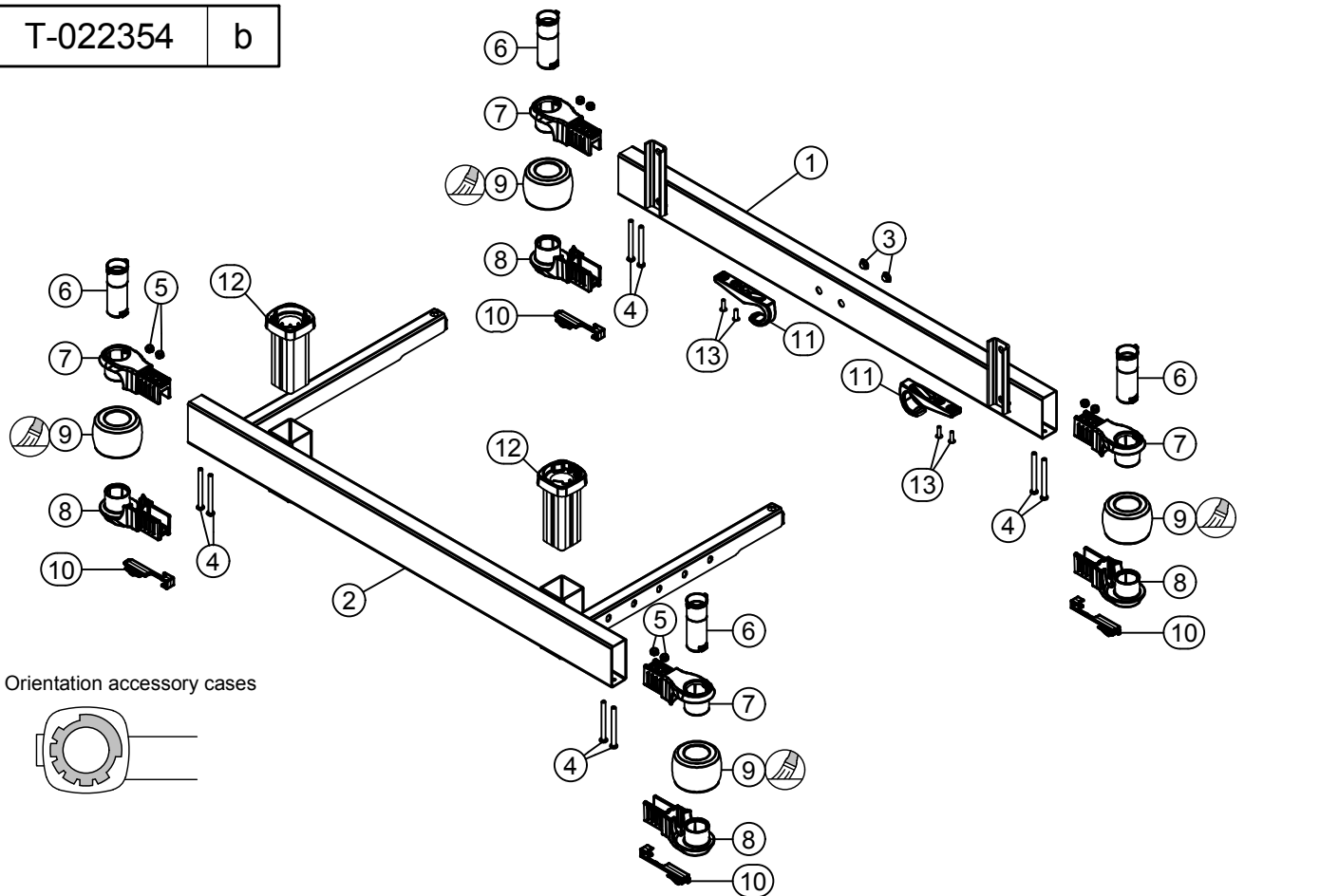
ID	Description	Q
20	B-000821 bolt Iso7380-M10x45x45-10.9 GV white-LC	2
21	M-000136 check nut Din985-M10	2
22	P-015482 wall protector	1
23	ST002199 buffer 42mm	1
24	ST015700 dowel pin Din7-6x50-St-GV	1
25	VL000338 washer Din125A-M10-GV	2

Description: assembly frontpanel supports Vela Olympia Hospital XLow	Scale: 1:10	
	Designer: sebastian.ola	
	Date: 10/07/2013	
All rights reserved. Reproduction in whole or in part is prohibited without the written consent of Haelvoet NV		

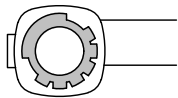
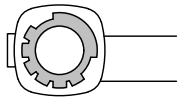
Drawing nr.: T-022352 Revision nr.: b

T-022354

b



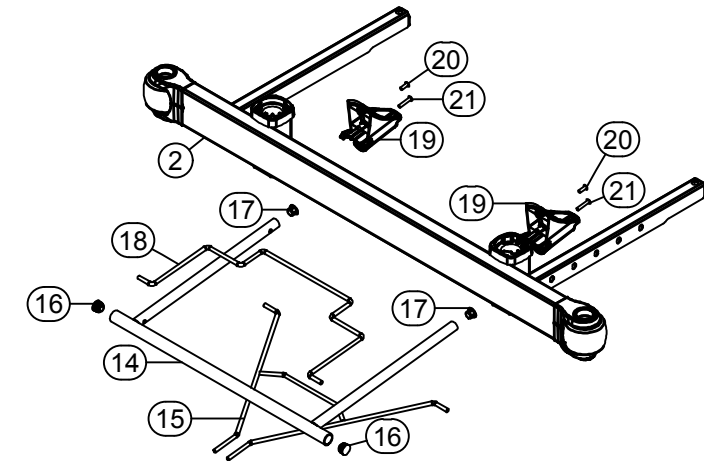
Orientation accessory cases



ID	Description	Q
1	A-012564 frontpanel support Lauro head side	1
2	A-013093 frontpanel support Lauro foot side/cases	1
3	AD012577 cap PR 15/11	2
4	B-010240 bolt Iso7380-M6x65x65-10.9 GV white	8
5	M-000137 check nut Din985-M6	8
6	P-006888 panel holder Lauro	4
7	P-010236 panel holder Lauro/upper part	4
8	P-010237 panel holder Lauro/bottom part	4
9	P-010238 buffer Lauro	4
10	P-010239 locking device panel Lauro	4
11	P-013615 hook for power cable	2
12	P-017129 accessory case	2
13	R-002292 rivet Alu/St 4.8x16	4

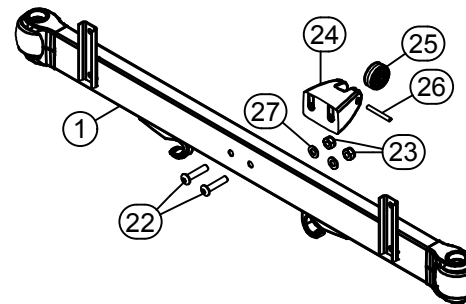
ID	Description	Q
14	A-013013 drawer frame	1
15	A-020668 blanket holder	1
16	AD004473 cap PR 18mm	2
17	AD011057 cap PL 17/13	2
18	P-015412 blanket rack	1
19	P-015470 drawer guide	2
20	R-002201 rivet Alu/St 4.8x14	2
21	R-003263 rivet Alu/St 4.8x25	2


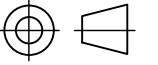
Option: blanket rack



Option: wall protector

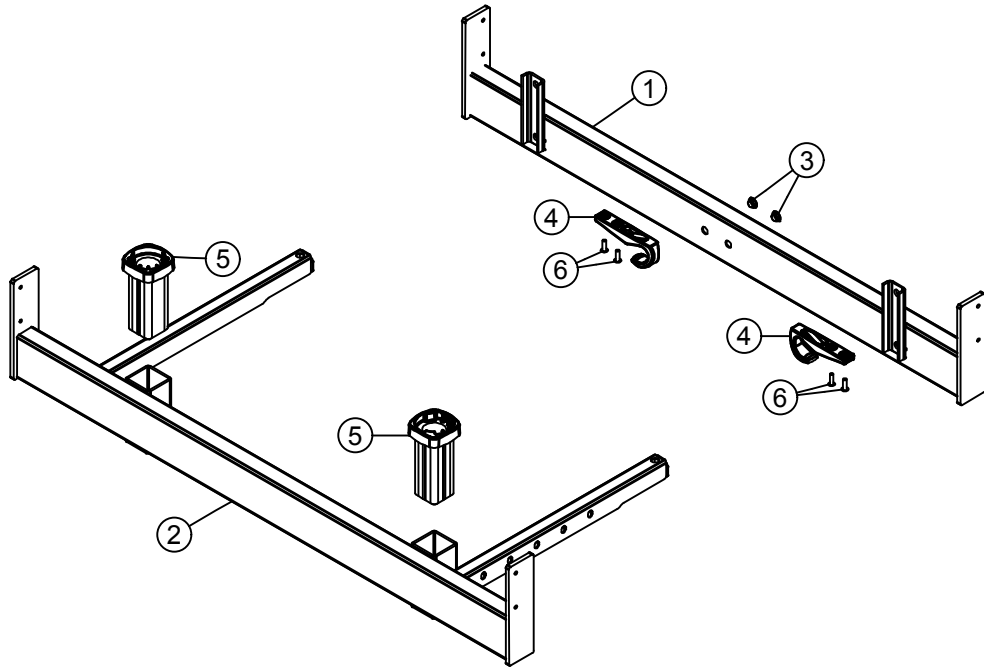
ID	Description	Q
22	B-000821 bolt Iso7380-M10x45x45-10.9 GV white-LC	2
23	M-000136 check nut Din985-M10	2
24	P-015482 wall protector	1
25	ST002199 buffer 42mm	1
26	ST015700 dowel pin Din7-6x50-St-GV	1
27	VL000338 washer Din125A-M10-GV	2



Description: assembly frontpanel supports Lauro Olympia Hospital XLow	Scale: 1:10	 L. Bekaertstraat 8 - 8770 Ingelmunster, Belgium Tel.: +32(0)51 48 66 95 Fax.: +32(0)51 48 73 19
	Designer: sebastian.ola Date: 10/07/2013	
All rights reserved. Reproduction in whole or in part is prohibited without the written consent of Haelvoet NV Drawing nr.: T-022354 Revision nr.: b		

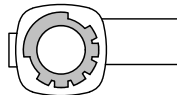
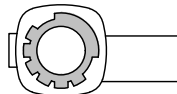
T-022357

b



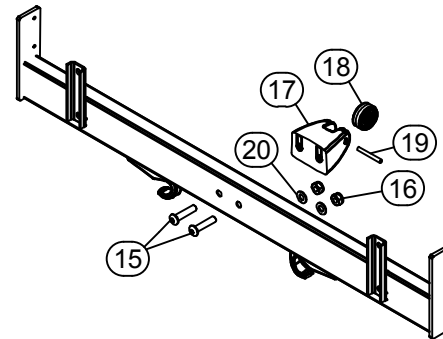
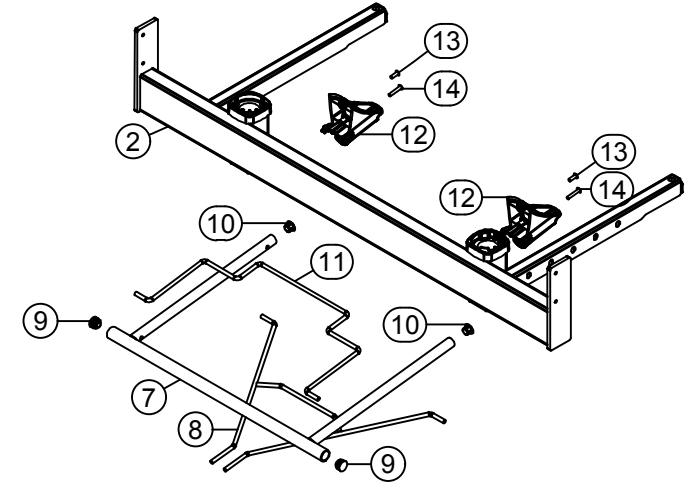
ID	Description	Q
1	A-013079 frontpanel support Jaro head side	1
2	A-013361 frontpanel support Jaro foot side/cases	1
3	AD012577 cap PR 15/11	2
4	P-013615 hook for power cable	2
5	P-017129 accessory case	2
6	R-002292 rivet Alu/St 4.8x16	4

Orientation accessory cases




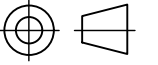
ID	Description	Q
7	A-013013 drawer frame	1
8	A-020668 blanket holder	1
9	AD004473 cap PR 18mm	2
10	AD011057 cap PL 17/13	2
11	P-015412 blanket rack	1
12	P-015470 drawer guide	2
13	R-002201 rivet Alu/St 4.8x14	2
14	R-003263 rivet Alu/St 4.8x25	2

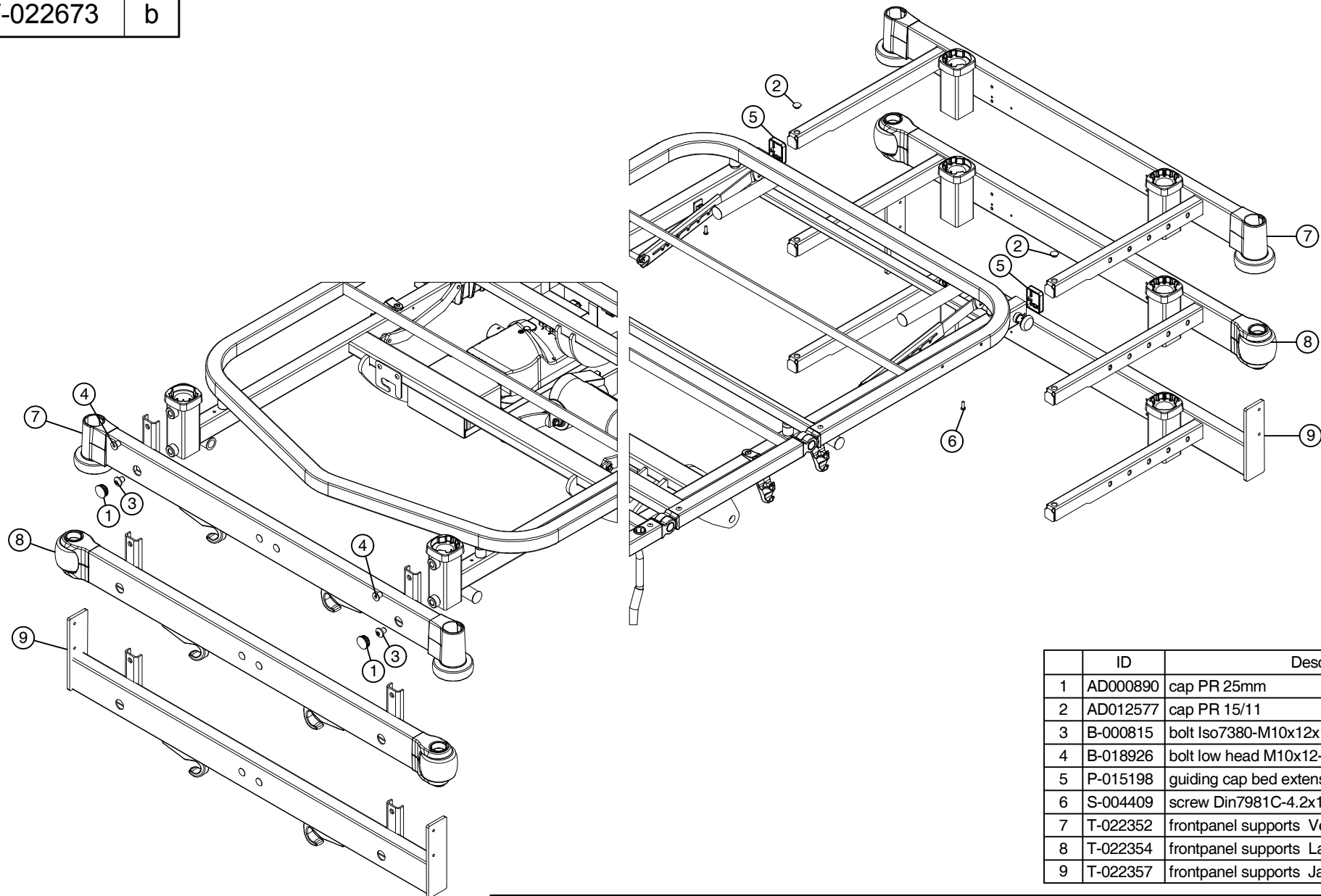
Option: blanket rack



Option: wall protector

ID	Description	Q
15	B-000821 bolt Iso7380-M10x45x45-10.9 GV white-LC	2
16	M-000136 check nut Din985-M10	2
17	P-015482 wall protector	1
18	ST002199 buffer 42mm	1
19	ST015700 dowel pin Din7-6x50-St-GV	1
20	VL000338 washer Din125A-M10-GV	2

Description: assembly frontpanel supports Jaro Olympia Hospital XLow	Scale: 1:10	
	Designer: sebastian.ola	
	Date: 10/07/2013	
All rights reserved. Reproduction in whole or in part is prohibited without the written consent of Haelvoet NV		



	ID	Description	Q
1	AD000890	cap PR 25mm	2
2	AD012577	cap PR 15/11	2
3	B-000815	bolt Iso7380-M10x12x12-8.8 GV white	2
4	B-018926	bolt low head M10x12-7984LK-10.9 GV white	2
5	P-015198	guiding cap bed extension	2
6	S-004409	screw Din7981C-4.2x16	2
7	T-022352	frontpanel supports Vela	1
8	T-022354	frontpanel supports Lauro	1
9	T-022357	frontpanel supports Jaro	1

Scale: 1 : 10

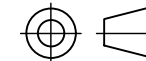
Designer:
S. Ola

Date: 18/09/2013



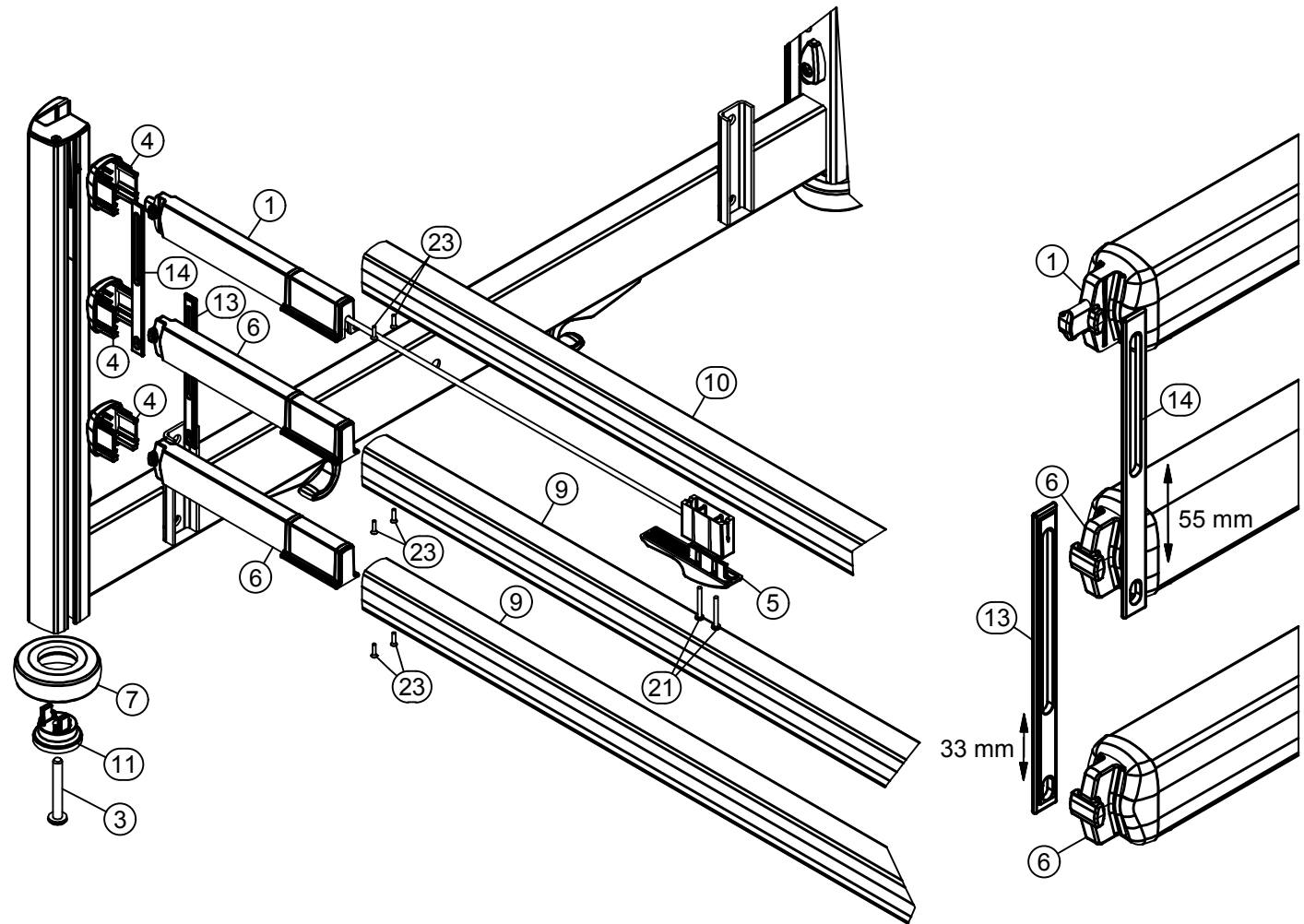
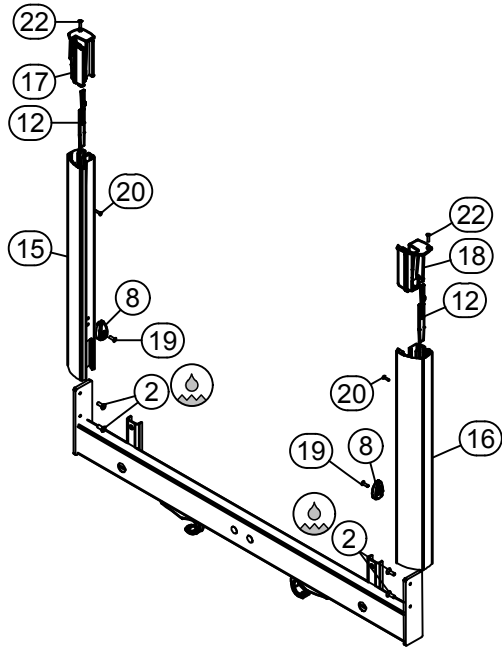
Description:

mounting panel supports Olympia Hospital XLow


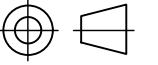
L. Bekaertstraat 8 - 8770 Ingelmunster, Belgium
Tel.: +32(0)51 48 66 95 Fax.:+32(0)51 48 73 19

All rights reserved. Reproduction in whole or in part is prohibited without the written consent of Haelvoet NV

Drawing nr.: T-022673 Revision nr.: b

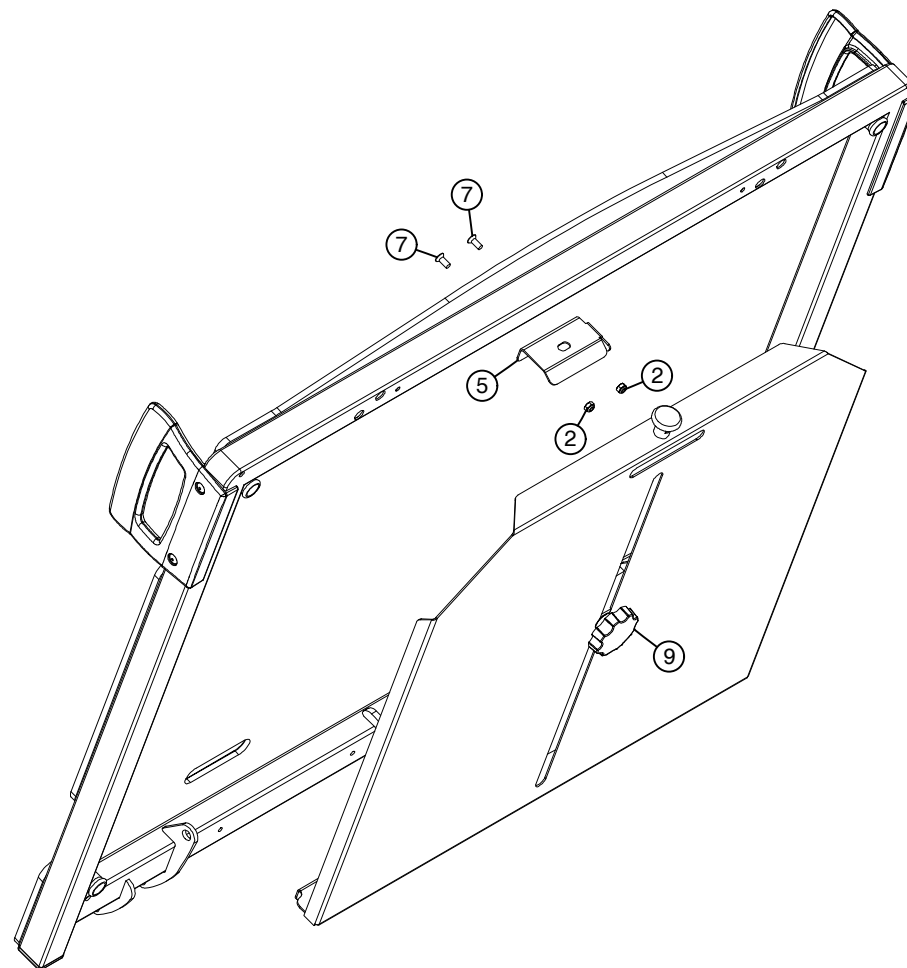
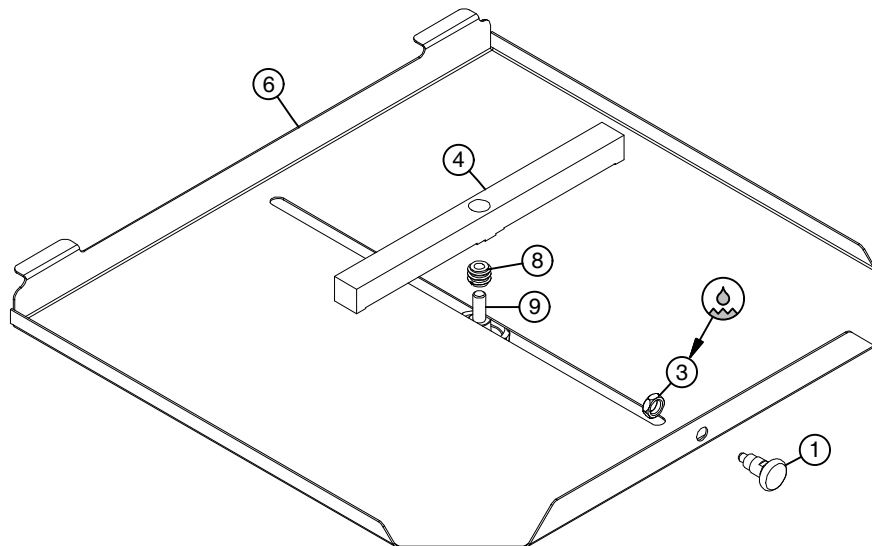


	ID	Description	Q
	1	A-011385 control Trix	4
	2	B-012599 bolt Din7991-M6x16x16-8.8 GV white	8
	3	B-014571 bolt ALtracs-80x60-WN5152	4
	4	P-010630 cover profile side rails Trix	12
	5	P-010647 handle	4
	6	P-010676 guiding part Trix middle	8
	7	P-014414 bumper wheel 75 type 2	4
	8	P-014695 guide panel Jaro	4
	9	P-014712 profile side rails Trix	4
	10	P-014713 profile side rails Trix - above	2
	11	P-015016 attachment bumper wheel Jaro	4
	12	P-018144 stop Trix top	4
	13	P-018198 pull brace bottom Trix	4
	14	P-018475 pull brace top Trix	4
	15	P-018483 panel profile Jaro type 1	2
	16	P-018484 panel profile Jaro type 2	2
	17	P-020331 cap bottom Jaro L - Trix III	2
	18	P-020332 cap bottom Jaro R - Trix III	2
	19	R-002201 rivet Alu/St 4.8x14	4
	20	S-004703 screw Din7505A-3.5x16-GV	4
	21	S-010681 screw PLASTITE 7985-3.5x30-GV	8
	22	S-012604 screw PLASTITE 965-4x16-GV	4
	23	S-016730 screw Din7983-2.9x13-GV	24


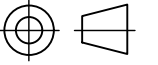
	Scale: 1 : 10	
	Designer: David V.	
	Date: 18/09/2012	
Description:		
side rails Trix III for Jaro		L. Bekaertstraat 8 - 8770 Ingelmunster, Belgium Tel.: +32(0)51 48 66 95 Fax.:+32(0)51 48 73 19
All rights reserved. Reproduction in whole or in part is prohibited without the written consent of Haelvoet NV		
Drawing nr.: T-020488 Revision nr.: d		

T-014517

b



	ID	Description	Q
1	A-004014	spring button pin38	1
2	M-000894	check nut Din985-M5	2
3	M-011064	nut Din439-M12-04 GV white	1
4	P-016452	position strip	1
5	P-016459	locking plate	1
6	P-016778	plate X-ray cassette holder bed	1
7	S-016477	screw Din965Z-M5x12-4.8 GV	2
8	ST002303	insert nut Din7965-M10x15 slot	1
9	ST017057	clamp handle dia50-M10x25	1

	Scale: 1 : 6	
	Designer: Wouter A.	
	Date: 13/07/2010	
Description: Option : X-ray cassette holder		L. Bekaertstraat 8 - 8770 Ingelmunster, Belgium Tel.: +32(0)51 48 66 95 Fax.:+32(0)51 48 73 19
All rights reserved. Reproduction in whole or in part is prohibited without the written consent of Haelvoet NV		

Drawing nr.: T-014517 Revision nr.: b