



Magnus Operating Table System

Configuration guide

Magnus Operating Table System

Working the table

Foreword

The Maquet Magnus Operating Table System is the culmination of Getinge's knowledge, resources and expertise, providing technology to help optimise workflows in the OR.

The modular operating table system includes a column, a hand control, a user-friendly transporter, and a wide variety of table top modules and accessories. Surgical staff can tailor the table to each surgery and patient by simply swapping a few modules.

Table technology

Practical technology aims to make the user's work as simple as possible. This configuration guide provides examples of how quickly and easily the table top can be assembled for the most frequent surgical interventions. The main operating steps are shown in illustrations, with short additional descriptions alongside.

The configuration guide is not intended to replace the comprehensive operating instructions, but acts as a rapid reference in many cases.



Positions

Extensive range of positions

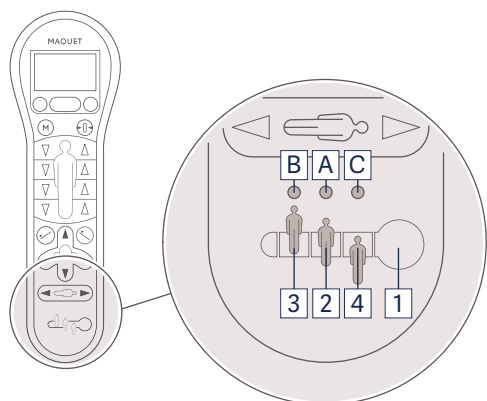


All key operations at your fingertips

Back-lit keys ensure visibility in a darkened operating theatre



Table top transfer / column transport selector button



The selector button (patient position) **(1)** is used to define the patient position. By pressing a button, you can choose from three positions; the corresponding position LED will illuminate.

Central position **(2)**

Position LED **(A)**

Cranial position **(3)**

Position LED **(B)**

Caudal position **(4)**

Position LED **(C)**

Column transport

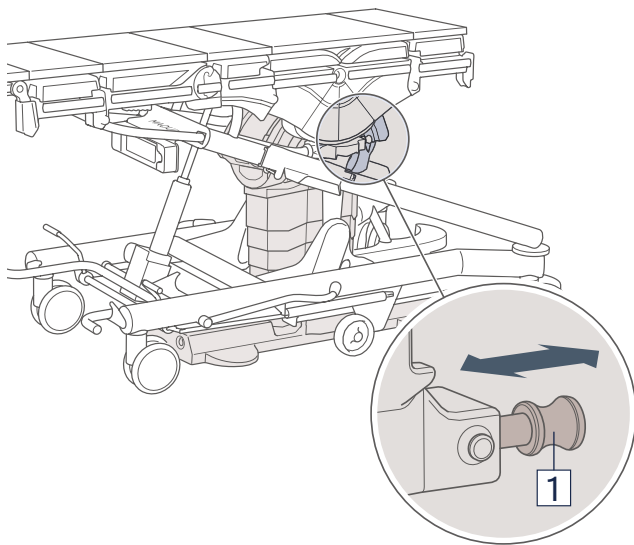


Table top transfer / column transport selector knob

Set table top transfer:

- Press in selector knob **(1)**.
As the column moves downwards, the table top is placed on the transporter and secured.

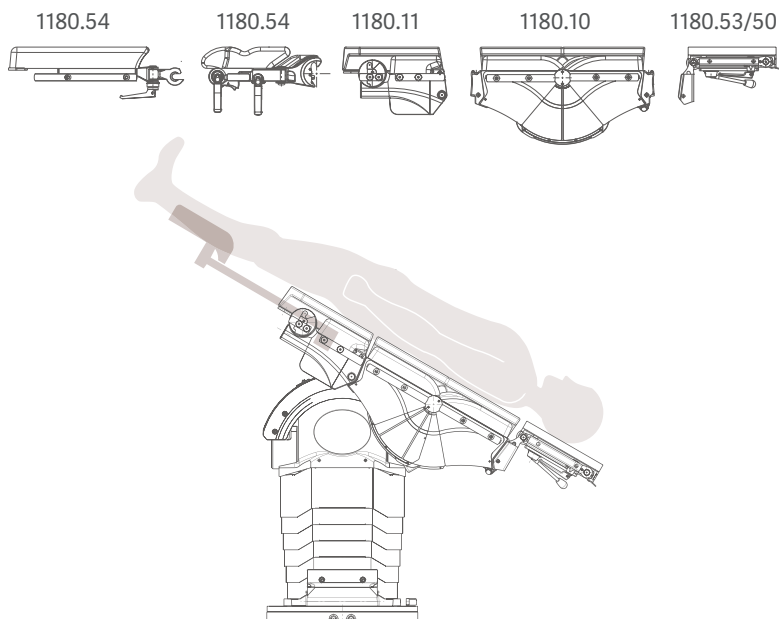
Set column transport:

- Pull out selector knob **(1)**. As the column moves downwards, the column is positioned on the transporter, secured and the pillar raised.

Note

Column transport is only possible with the mobile column 1180.01C0. The table top transfer / column transport selector knob therefore has no function with any other column.

Laparoscopic colon resection



Key

1180.10 Basic table top

1180.11 Joint module

1180.53 Head rest

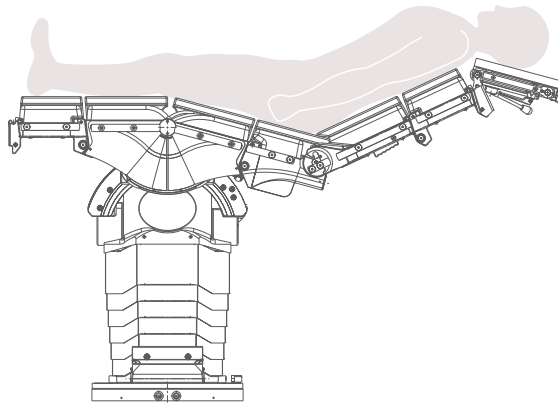
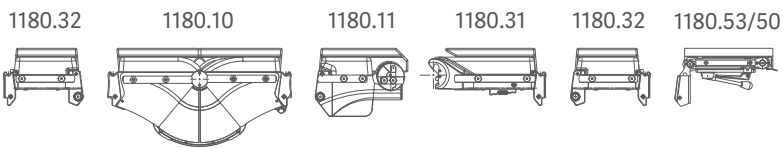
1180.54 Pair of leg plates

Tip

The patient's legs can be positioned either on leg plates or Goepel leg supports (abduction option for anastomosis).

Position: Caudal position

Goitre cranial



Key

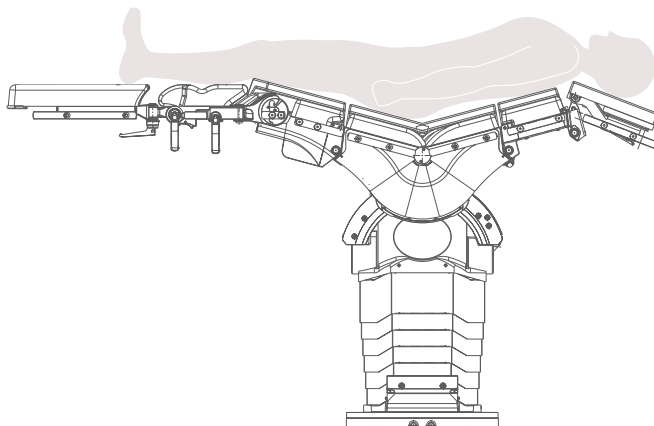
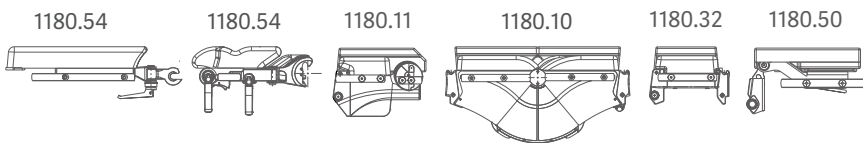
1180.10	Basic table top
1180.11	Joint module
1180.31	Back plate
1180.32	Extension plate, 2x
1180.50	Head rest
1180.53	Head rest

Tip

With patients (< ca. 160 cm), there is no need for the extension plate 1180.32 between the back plate and head rest.

Position: Cranial position

Goitre caudal

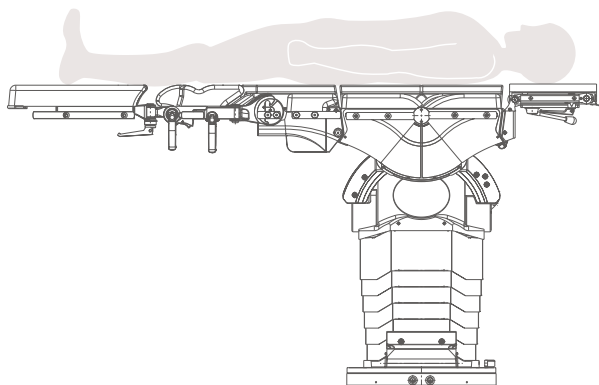
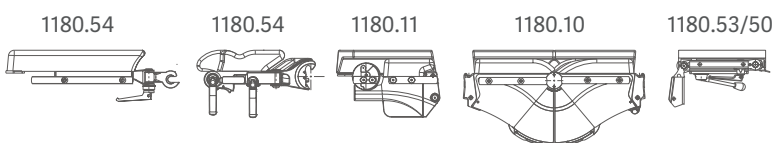


Key

1180.10	Basic table top
1180.11	Joint module
1180.32	Extension plate, 2x
1180.50	Head rest
1180.54	Pair of leg plates

Position: Caudal position

Lithotomy position, start of operation



Key

1180.10 Basic table top

1180.11 Joint module

1180.30 Head rest

1180.53 Head rest

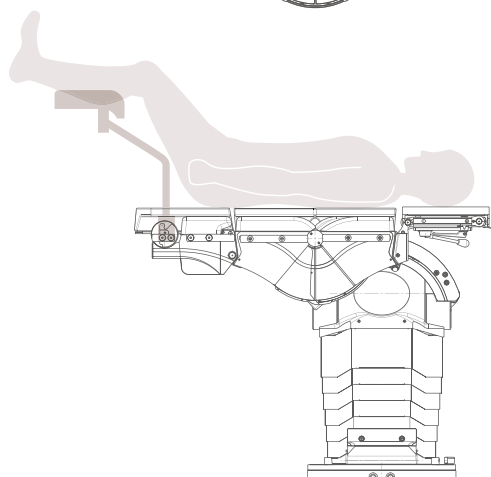
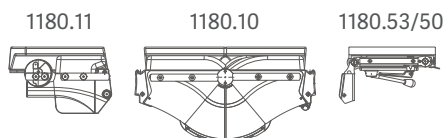
1180.54 Pair of leg plates

Tip

The transfer board 1180.57 may be used as a leg rest during induction of anesthesia as an alternative to the leg plates.

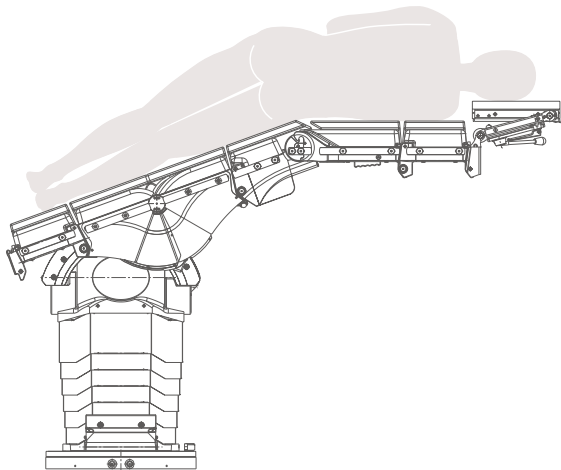
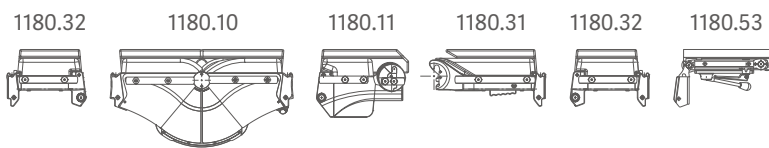
Position: Caudal position

Procedures in lithotomy position



Position: Caudal position

Nephrectomy cranial



Key

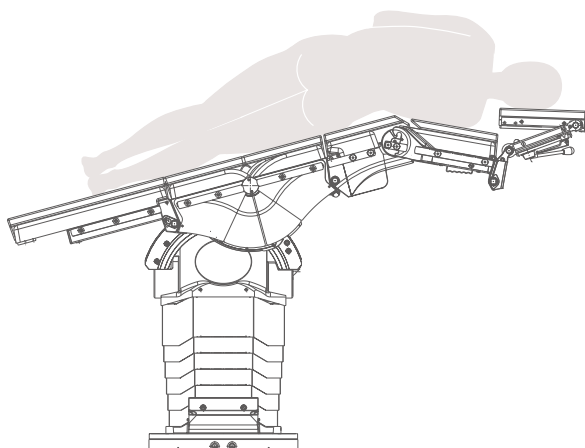
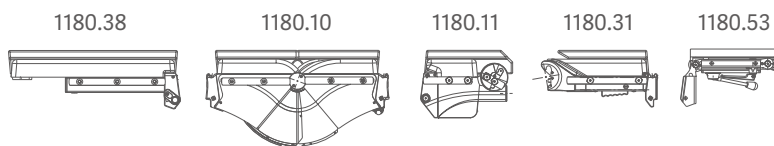
1180.10	Basic table top
1180.11	Joint module
1180.31	Back plate
1180.32	Extension plate, 2x
1180.53	Head rest

Position: Cranial position

Tip

To provide better access to the OR table, the table top is moved in the direction of the patient's head.

Thoracic lateral recumbent position cranial



Key

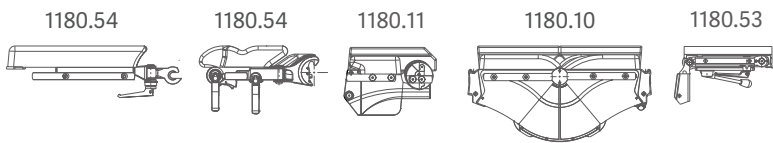
1180.10	Basic table top
1180.11	Joint module
1180.31	Back plate
1180.38	Universal extension plate
1180.53	Head rest

Position: Cranial position

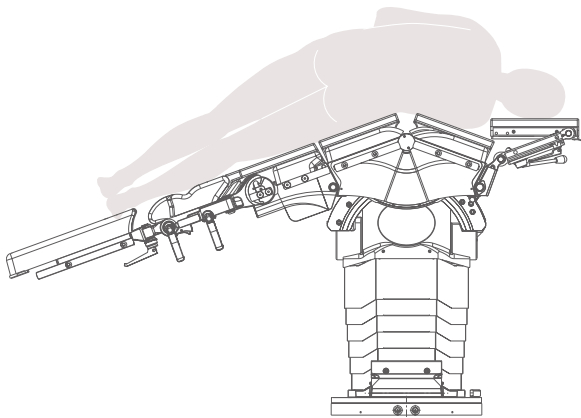
Tip

To provide better access to the OR table, the table top is moved in the direction of the patient's head.

Thoracic lateral recumbent position caudal

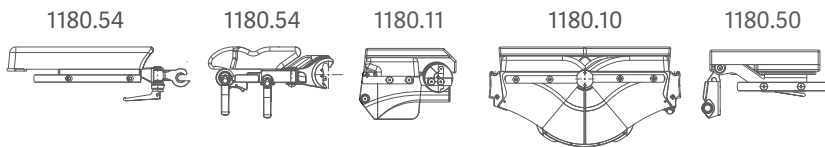


Key	
1180.10	Basic table top
1180.11	Joint module
1180.53	Head rest
1180.54	Pair of leg plates

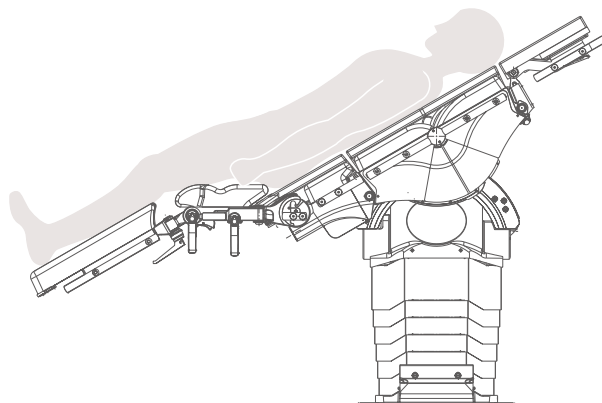


Position: Caudal position

Fundoplication / laparoscopic obesity surgery

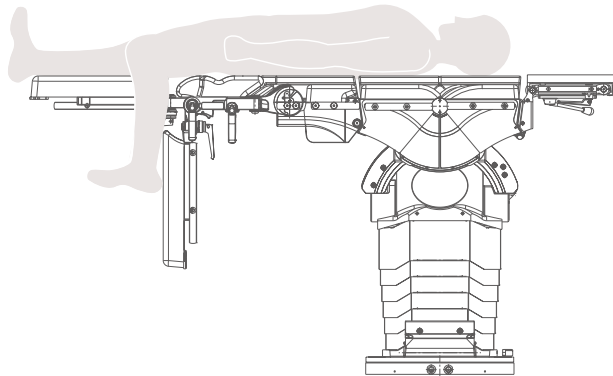


Key	
1180.10	Basic table top
1180.11	Joint module
1180.50	Head rest
1180.54	Pair of leg plates



Position: Caudal position

Knee arthroscopy



Key

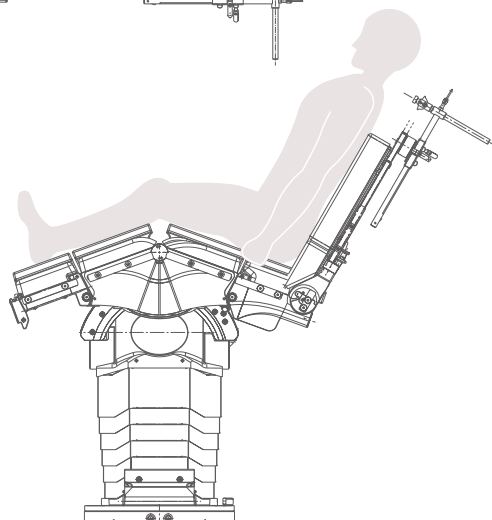
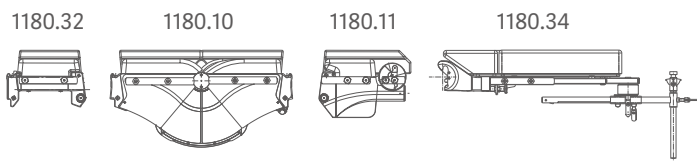
1180.10	Basic table top
1180.11	Joint module
1180.32	Extension plate, 2x
1180.53	Head rest
1180.54	Pair of leg plates

Position: Caudal position

Tip

In order to bend the knee over 90°, remove the calf plate or, if preferred, remove the entire leg plate.

Shoulder surgery in beach chair position



Key

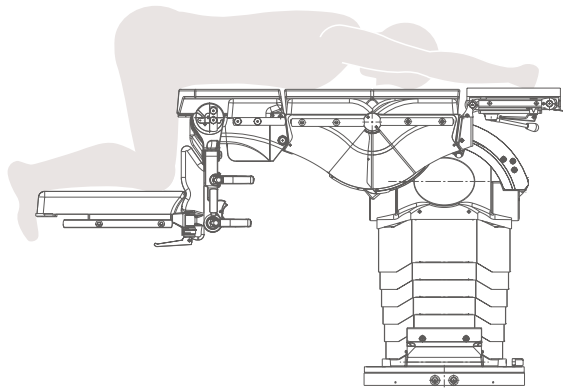
1180.10	Basic table top
1180.11	Joint module
1180.32	Extension plate
1180.34	Shoulder module

Position: Cranial position

Tip

To provide better access to the OR table, the table top is moved in the direction of the patient's head.

Knee-elbow position



Key

1180.10 Basic table top

1180.11 Joint module

1180.50 Head rest

1180.53 Head rest

1180.54 Pair of leg plates

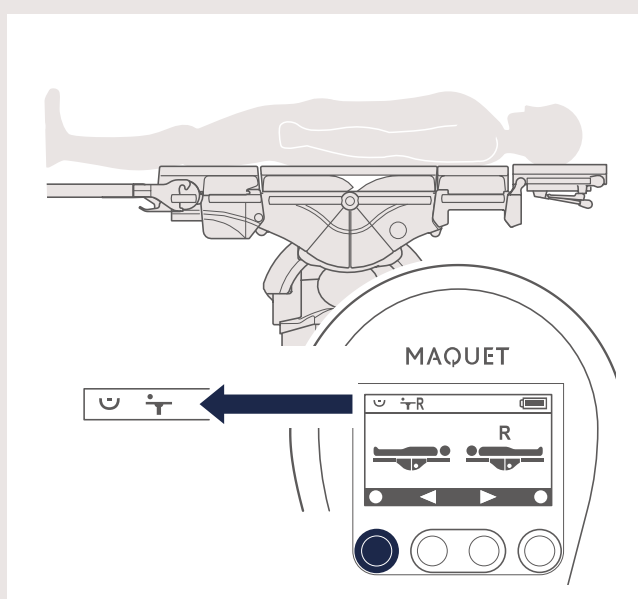
Position: Caudal position

Tip

Suitable for intervertebral disk operations or, with abducted leg plates, also for rectal surgery – with cushion 1180.41A0.

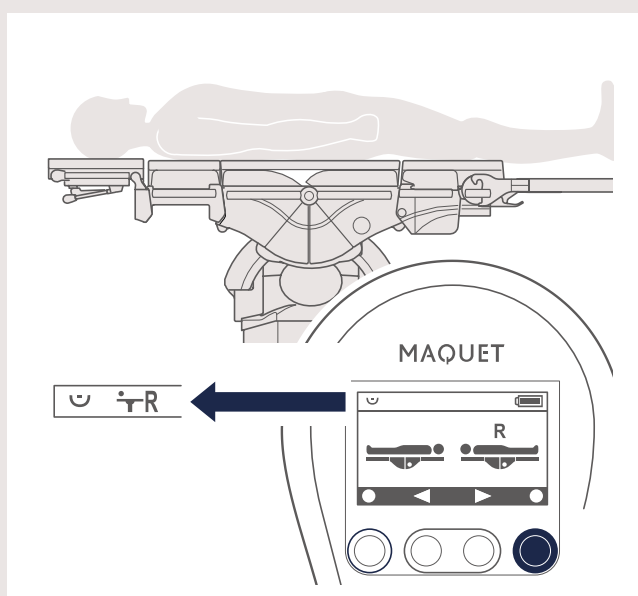
Patient orientation

Combination of functionality and comfort



After passing the patient table top from the transporter onto the operating column, a selection window appears on the display of the operating device. Please enter the required orientation (NORMAL or REVERSE). In NORMAL orientation, the upper body lies above the round dot on the table top.

To set the NORMAL orientation, press the left key on the operating panel and hold. The black progress bar will run on the right side. Once the progress bar has reached the right side, the NORMAL patient position is adopted by the operating table system. The NORMAL patient orientation is shown on the status bar.

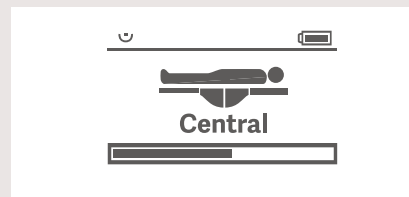
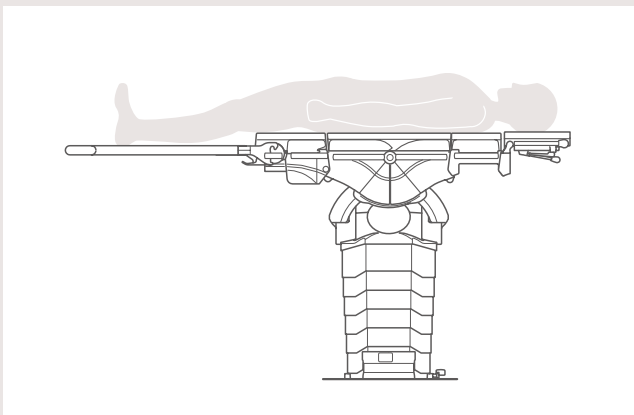


In REVERSE orientation, the upper body is on the side opposite the round dot. To confirm REVERSE orientation, press the right key and hold. The black progress bar will run on the right side.

Once the progress bar has reached the right side, the REVERSE patient position is adopted by the operating table system. The REVERSE patient orientation is shown on the status bar.

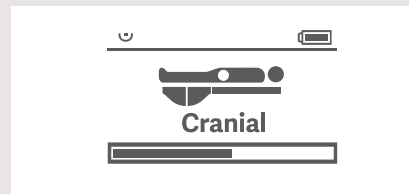
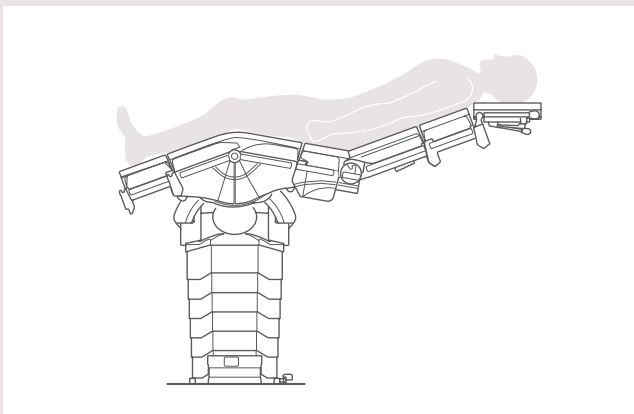
Patient positioning

An extensive variety of surgical interventions



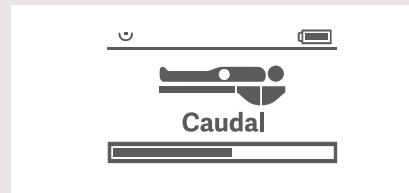
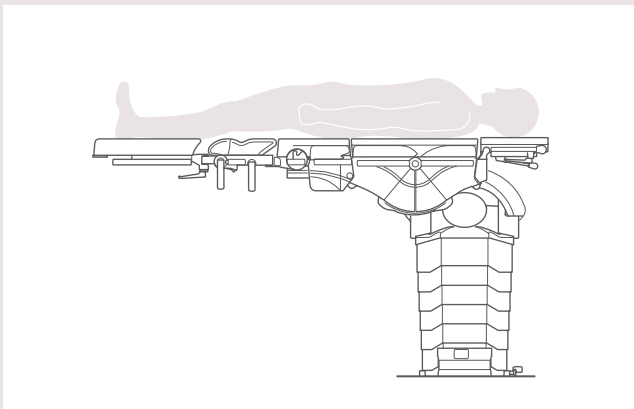
Central position:

The patient's pelvis is above the basic module joint.



Cranial position:

The patient's pelvis is, for example, on a joint module and the upper body lies on a back plate.



Caudal position:

The patient's pelvis is, for example, on a joint module and the legs are on a leg plate.



With a firm belief that every person and community should have access to the best possible care, Getinge provides hospitals and life science institutions with products and solutions aiming to improve clinical results and optimize workflows. The offering includes products and solutions for intensive care, cardiovascular procedures, operating rooms, sterile reprocessing and life science. Getinge employs over 10,000 people worldwide and the products are sold in more than 135 countries.

This document is intended to provide information to an international audience outside of the US.

Maquet GmbH · Kehler Str. 31 · 76437 Rastatt · Germany · +49 7222 932-0

www.getinge.com