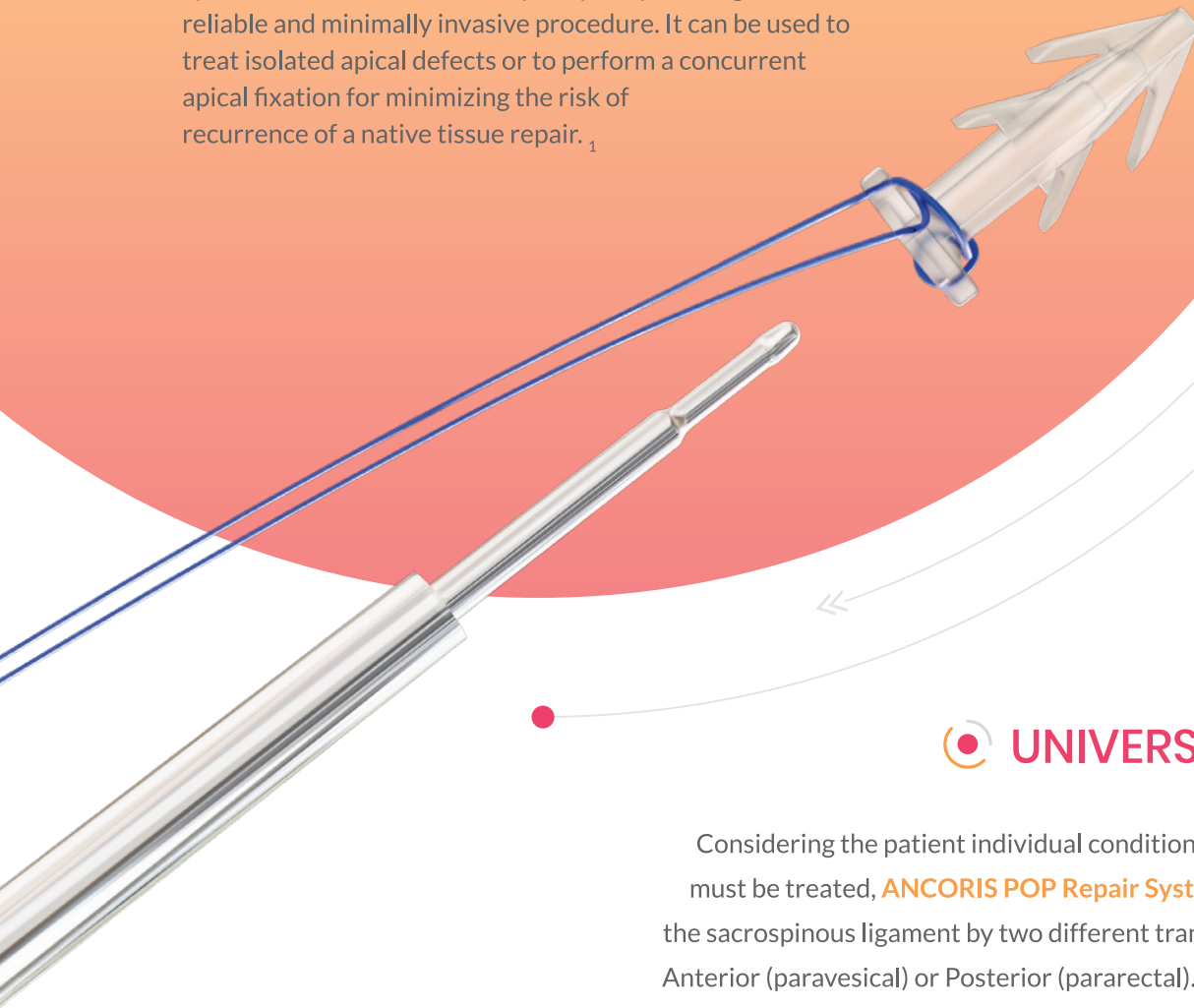


Simple and Meshless
Transvaginal POP Treatment

ANCORIS
POP REPAIR SYSTEM

FIRST LINE TREATMENT

ANCORIS is a transvaginal sacrospinous ligament anchoring system to treat women with apical prolapse using a safe, reliable and minimally invasive procedure. It can be used to treat isolated apical defects or to perform a concurrent apical fixation for minimizing the risk of recurrence of a native tissue repair. ¹

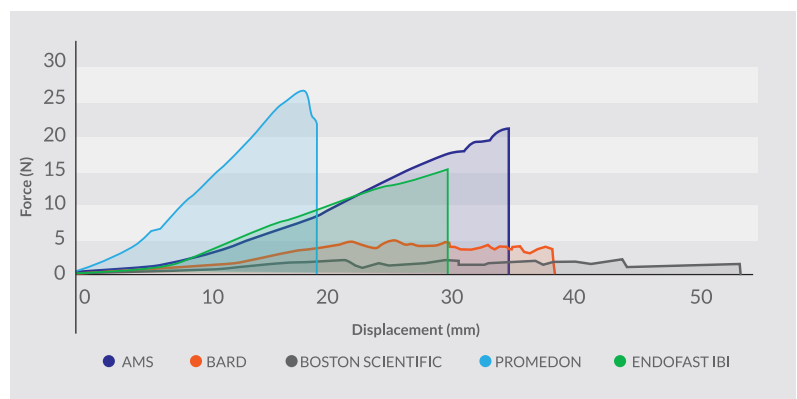


UNIVERSAL SYSTEM

Considering the patient individual condition and the defect which must be treated, **ANCORIS POP Repair System** can be inserted to the sacrospinous ligament by two different transvaginal approaches, Anterior (paravesical) or Posterior (pararectal). The use of ANCORIS provides the possibility to perform apical suspension in a reduced operation duration. ²

EFFECTIVE MINIMALLY INVASIVE PROCEDURE

A sacrospinous fixation needs to withstand the high pressures affecting the pelvic floor. Clinical studies have shown that the tissue anchoring systems offer a superior primary fixation compared to suturing devices in terms of pull-out resistance. With the help of anchoring devices such as **ANCORIS**, the risk of recurrent apical prolapse after sacrospinous fixation could be reduced. ³

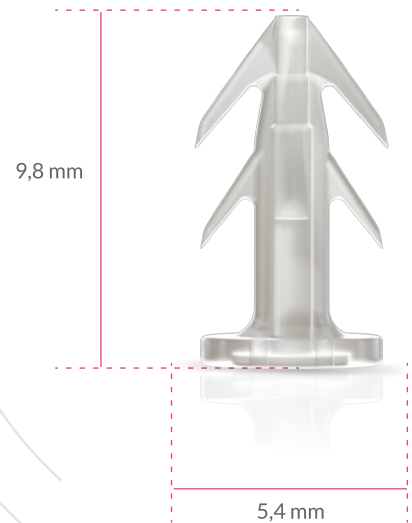


1: Sahrif J, et. al.: Recurrent pelvic organ prolapse: Internation Urogynecological Association Research and Development Committee opinon – Int Urogynecol J (2016)
2. Int Urogynecol J (2019) 30 (Suppl 1):S320 3: Halaska M, Sedlacek R, Lincova M, Nanka O, Maxova K, Charles University Czech TU Prague: Fixation ability of contemporary used vaginal kits in prolapse surgery 4. Data on file.

TISSUE ANCHORING SYSTEM – TAS

The **TAS Anchors** were developed to provide a reliable anchoring of two fixation polypropylene sutures to the sacrospinous ligament. With its six circumferentially arranged polypropylene spikes and the safety stop at the bottom of the anchor, the TAS provides:

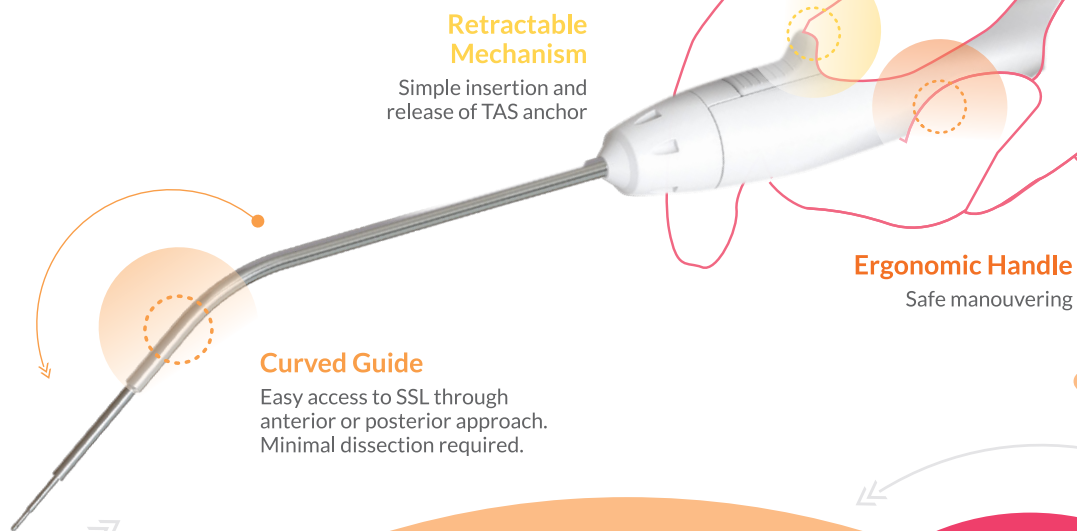
- High pull-out force and accuracy
- Reliable fixation
- Safety with regard to vascular and neural structures



RETRACTABLE INSERTION GUIDE – RIG

The **Retractable Insertion Guide** was developed to reach the targeted area for performing an accurate and safe TAS insertion. With its **ergonomic design, small diameter and retractable mechanism** for connecting and releasing TAS Anchors, it provides:

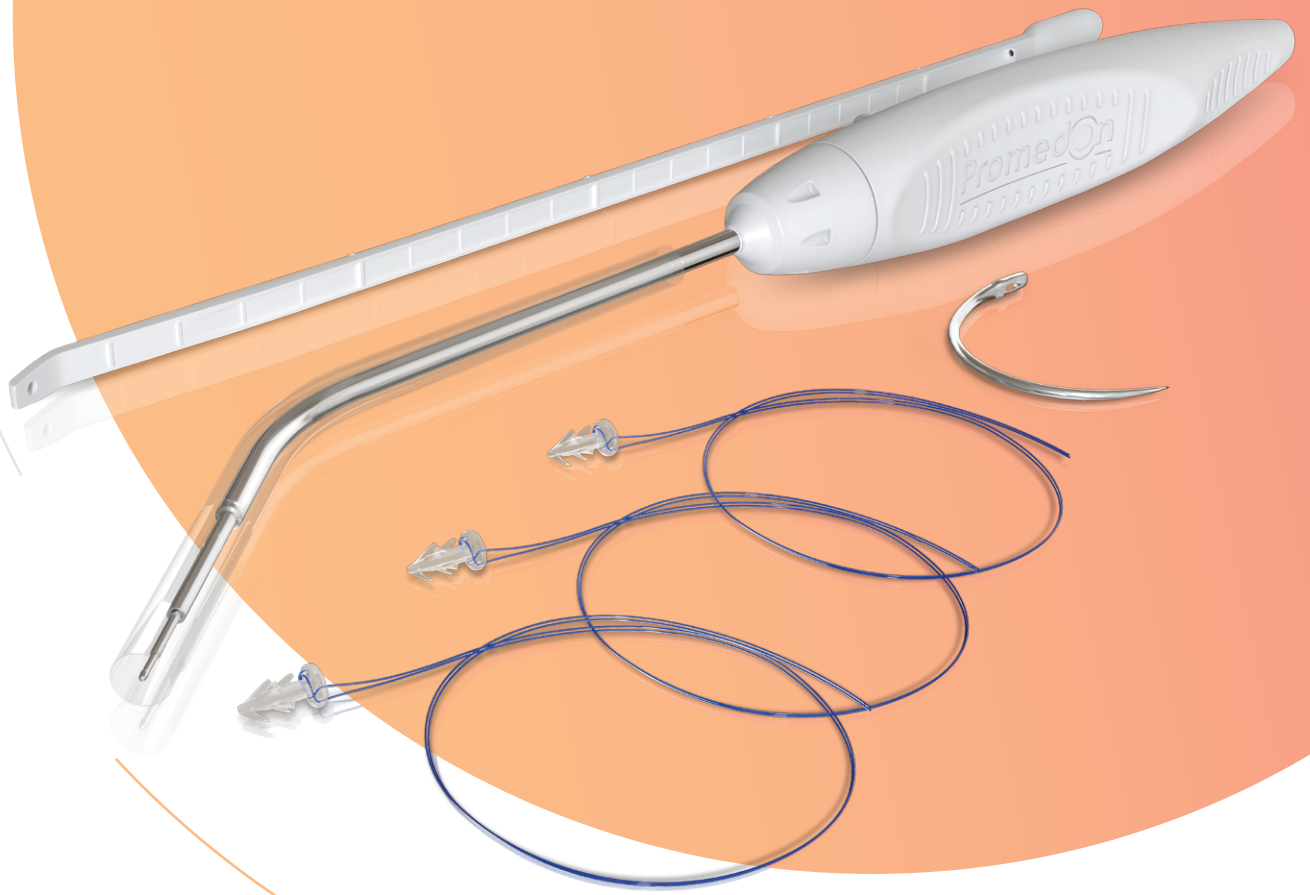
- Precision and safety in surgical maneuvers
- Minimal dissection requirement
- Total control of connection and release of TAS Anchors



ANCORIS in practice

- Uterine prolapse
- Vaginal vault prolapse
- Anterior prolapse with apical defect
- Posterior prolapse with apical defect
- Apical support for durable results in anterior and posterior repair

100.000
+ TAS ↑
IMPLANTED ₄ ↑



SIMPLE . MESHLESS. RELIABLE. VERSATILE.

Ordering Information: ANCORIS POP REPAIR SYSTEM Order Number: KIT-ANC-01

- 3 TAS (Tissue Anchoring System) anchors with sutures
- 1 Retractable insertion guide
- 1 Eye suture needle
- 1 Knot pusher

www.promedon-urologypf.com/ancoris

Promedon
Urology and Pelvic Floor