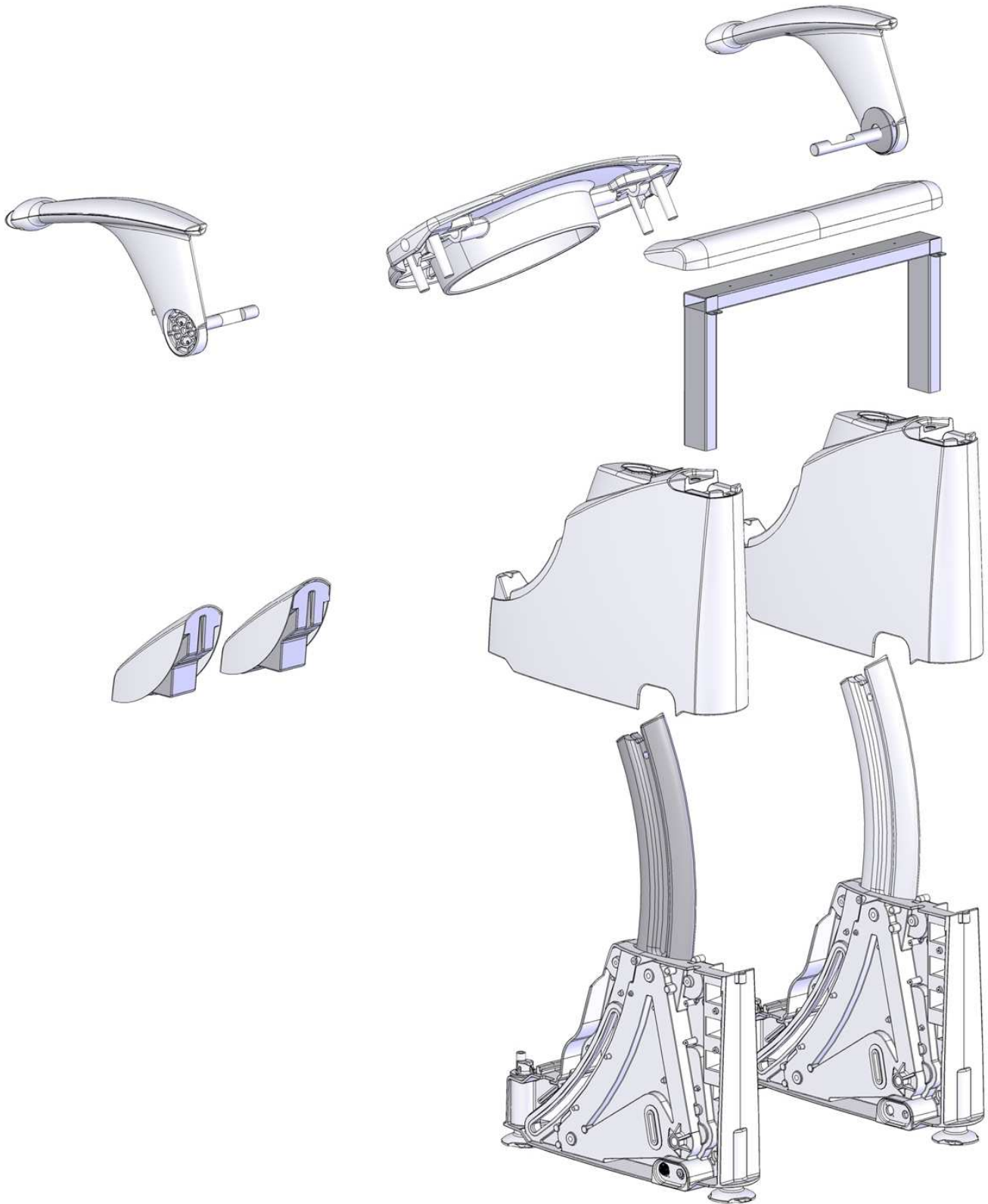
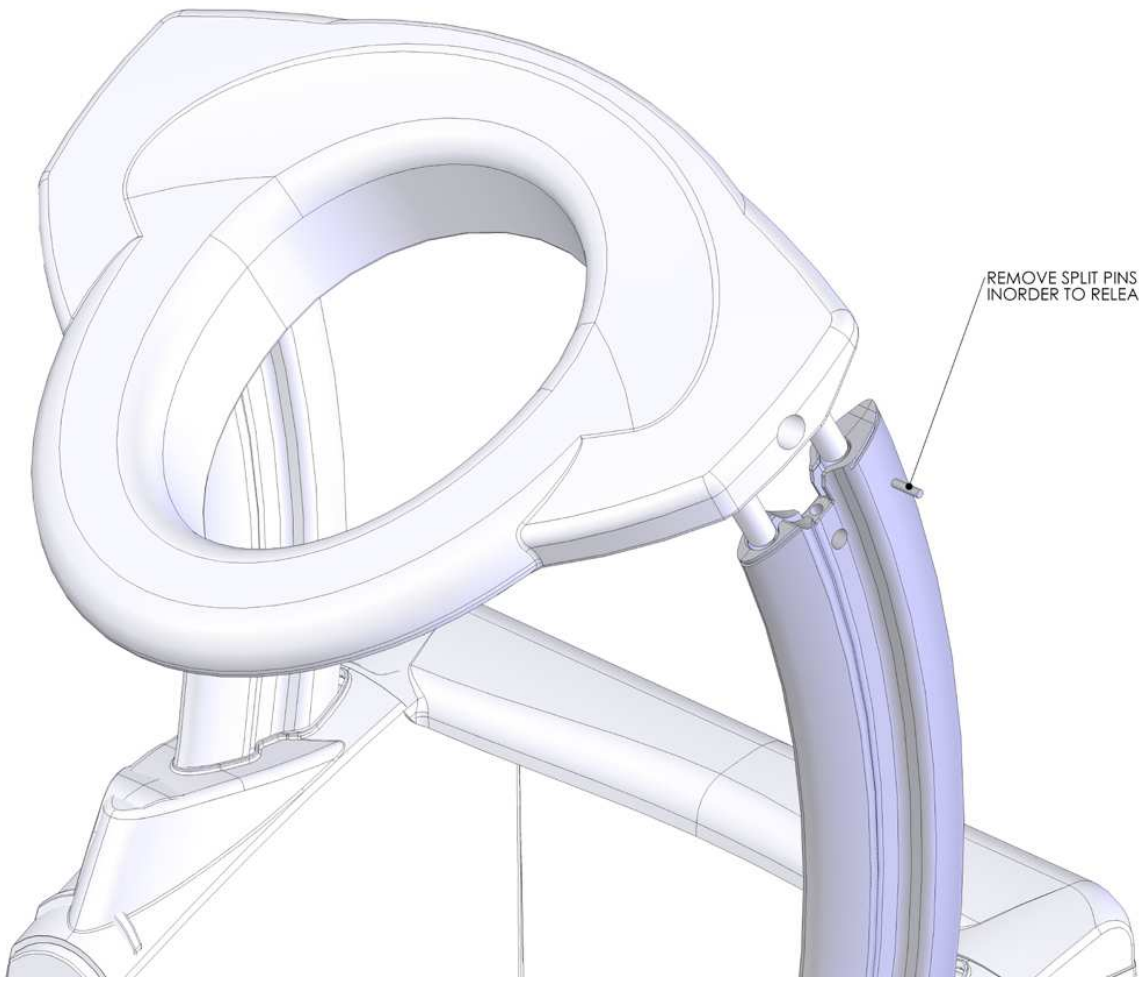




MOUNTWAY
Solo
TOILET LIFT

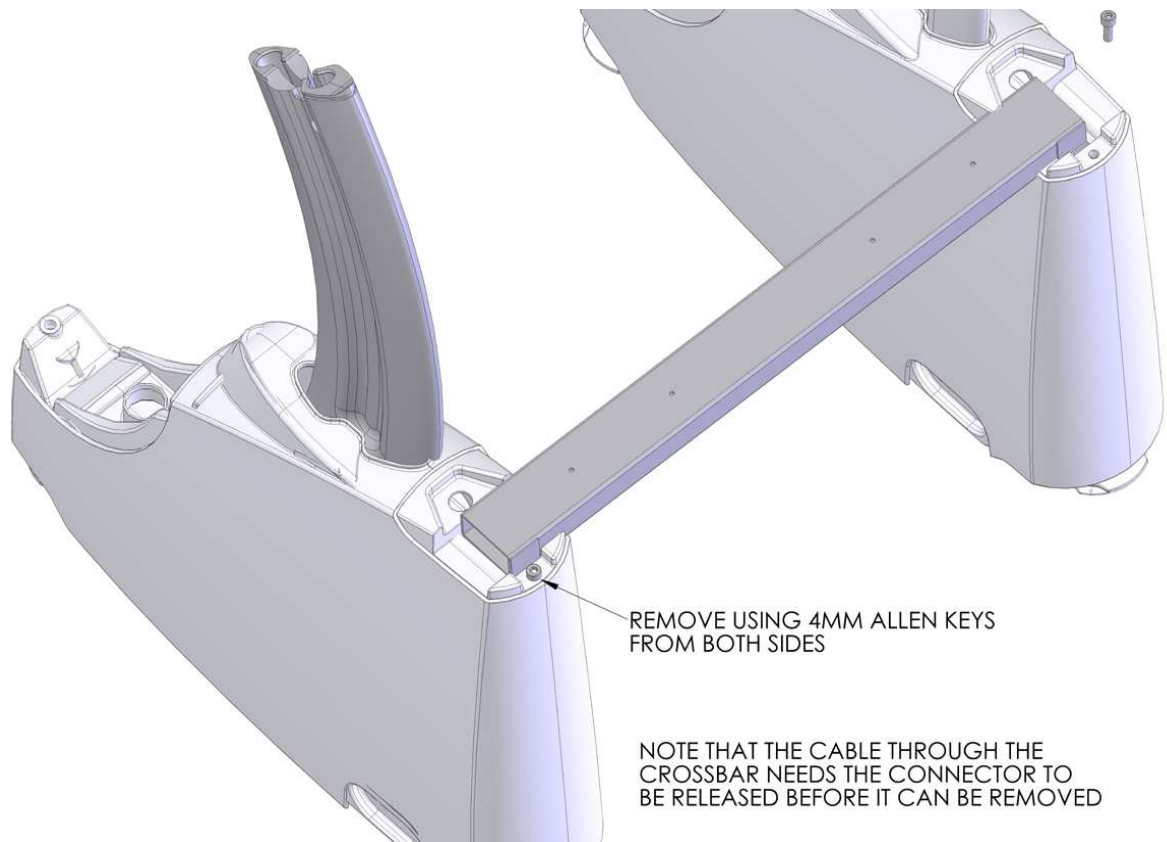




REMOVE SPLIT PINS FROM BOTH SIDES IN ORDER TO RELEASE THE SEAT



REMOVE 4 SCREWS HOLDING PLASTIC CROSSBAR COVER.



REMOVE BATTERY OR BLANKING POD

REMOVE USING 4MM ALLEN KEY

THE COVER WILL NOW SLIDE OFF OVER THE STRUT. THE CABLE THAT WENT THROUGH THE CROSSBAR WILL NEED UNCLIPPING FROM THE PCB IN ORDER TO FULLY REMOVE.

