

clos^omat[®]
hygiene beyond expectation



Clos-o-Mat Lima Vita installation & user guide



design • manufacture • supply • install • service • recycle

explanation of symbols

- Safety instructions in this manual are identified by symbols. The safety instructions are introduced by signal words, which express the extent of the hazard/risk.



- In order to prevent accidents, personal injury, property damage and guarantee maximum patient safety, follow the safety instructions without fail and exercise caution.

description of equipment

- The Clos-o-Mat Lima Vita is an electrically operated wash and dry toilet designed to provide the operator/user with a hygienic solution to toileting.

start-up procedure

- To enable a warm washing cycle operation the Clos-o-Mat Lima Vita must be switched on. Each Clos-o-Mat Lima Vita has its own isolation switch. To switch the unit on the location for each switch is as follows:
- Lima Vita – Left hand side behind lower vented cover.
- Once switched on the water will reach core temperature within 5 minutes. It is advised to maintain the core temperature in readiness for use the unit be left switched on at all times.

electrical services

- To avoid the risk of electric shock, this equipment **MUST** only be connected to a supply mains with protective earthing.

Mains isolation

- All electrical appliances must be installed in accordance to the relevant regulations associated with the country it is within. To conduct any form of repairs or servicing it is recommended that a mains isolation device be located in the vicinity of the unit.
- 220/240v single phase AC supply is required, (loading 10A, maximum power 1300 watts). The Clos-o-Mat Lima Vita is supplied with a 3 core cable attached and **MUST NOT** be removed or replaced. A fused spur is required for isolation.
- Spur outlet to be located in accordance with current I.E.E. Regulations (Current Edition).
- No modification of this unit is allowed other than by the manufacturer.
- **Clos-o-Mat has IPX4 rating.**

shutdown procedure

- To isolate the Clos-o-Mat Lima Vita from electrical supply using the integrated isolation switch (as detailed in electrical servicing) switch the unit off.

bathroom/shower room installations

- The Clos-o-Mat Lima Vita must not be in direct line with the shower spray. Some form of partition between shower and the Clos-o-Mat Lima Vita is advisable to prevent any water spraying directly onto the equipment.
- A shower should not be used in conjunction with the Clos-o-Mat Lima Vita i.e. under no circumstances must a user shower whilst seated on the Clos-o-Mat Lima Vita.

water services (WRAS approved)

- **It is essential that the entering water is cold**
- 15mm cold water service only.
- We would recommend water supply isolated via isolation valve.
- Water supply can be from storage vessel or mains ('Grey Water' **MUST NOT BE USED**).
- Boiler Capacity: 1.7 litres.
- Water rate: min. 8 l/min.
max. 0.8 PMa (8 bar)
- Cistern capacity: 6 litres.

overflow

- The Clos-o-Mat Lima Vita has an internal overflow which discharges into the W.C. pan through the flush valve.

soil connection

- Soil connection to the Clos-o-Mat Lima Vita is directly through the rear of the unit.

further notes

- No permanent hand rails or other obstructions should be fitted across the front or top of the unit. The white outer casing has to be pulled upwards and forward to remove for servicing purposes.
- Unit not rated for altitude. 2000m is the maximum.
- This application requires an earth connection.
- Environmental conditions – operating ambient room temperature maximum = 50°C.

environmental conditions

The Clos-o-Mat Lima Vita is rated to IPX4 and can be installed and operated within a typical shower/toilet room.

cleaning information

- The use of bleach products is not advised due to the exposed metal parts associated with the washing device. (tarnishing may occur).
- The Clos-o-Mat Lima Vita washing device is designed to self cleanse during and after every use. Normal cleansing of the bowl and outer covers is required.

classification

Medical Device Class I certified EN60601-1-1: 2007/AC: 2010.

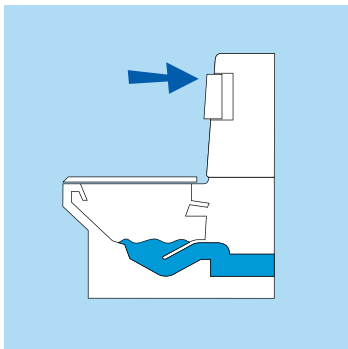
maintenance and frequency of serviceable parts

- The Clos-o-Mat Lima Vita is self-sufficient but it is recommended that a competent experienced Service Engineer carry out an annual service of the internal workings.

risk associated with the waste of equipment after service life

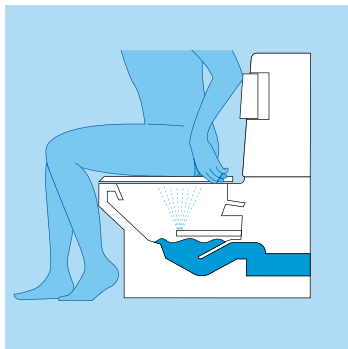
- All Clos-o-Mat Lima Vitas have a life expectancy of 15 years or more if regularly serviced. At the stage the unit is not repairable it can be discarded to any appropriate recyclable plant. There are no immediate risks to the environment.

user guide



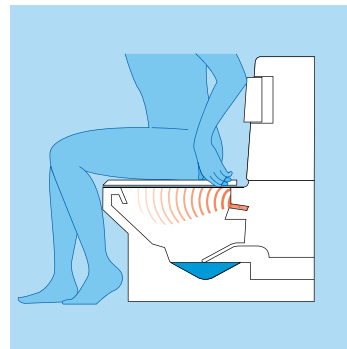
Flushing

Press either elbow pad whilst standing for conventional flush



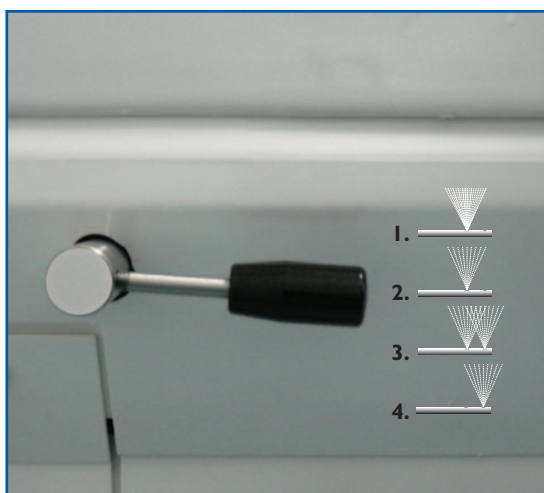
Washing

Press elbow pad whilst seated and hold in for approximately 10-15 seconds, flushing and warm water washing take place simultaneously



Drying

Warm air drying automatically follows when elbow pad is released



user adjustments

Multi-function douche

- | | |
|-------------------------------|--|
| 1. Lever at highest position: | Standard rear wash
Higher pressure |
| 2. Lever one notch down: | Standard rear wash
Normal pressure |
| 3. Lever two notches down: | Rear and frontal wash
Normal pressure |
| 4. Lever three notches down: | Frontal wash
Normal pressure and
shower chair wash |

Douche water temperature adjustment

Minimum 22°C – maximum 50°C (pre-set)

Douche washing cycle

Factory settings • Wash cycle client controlled (pre-set)

^{one}touch : minimum 4 seconds – maximum 60 seconds

Dryer cycle

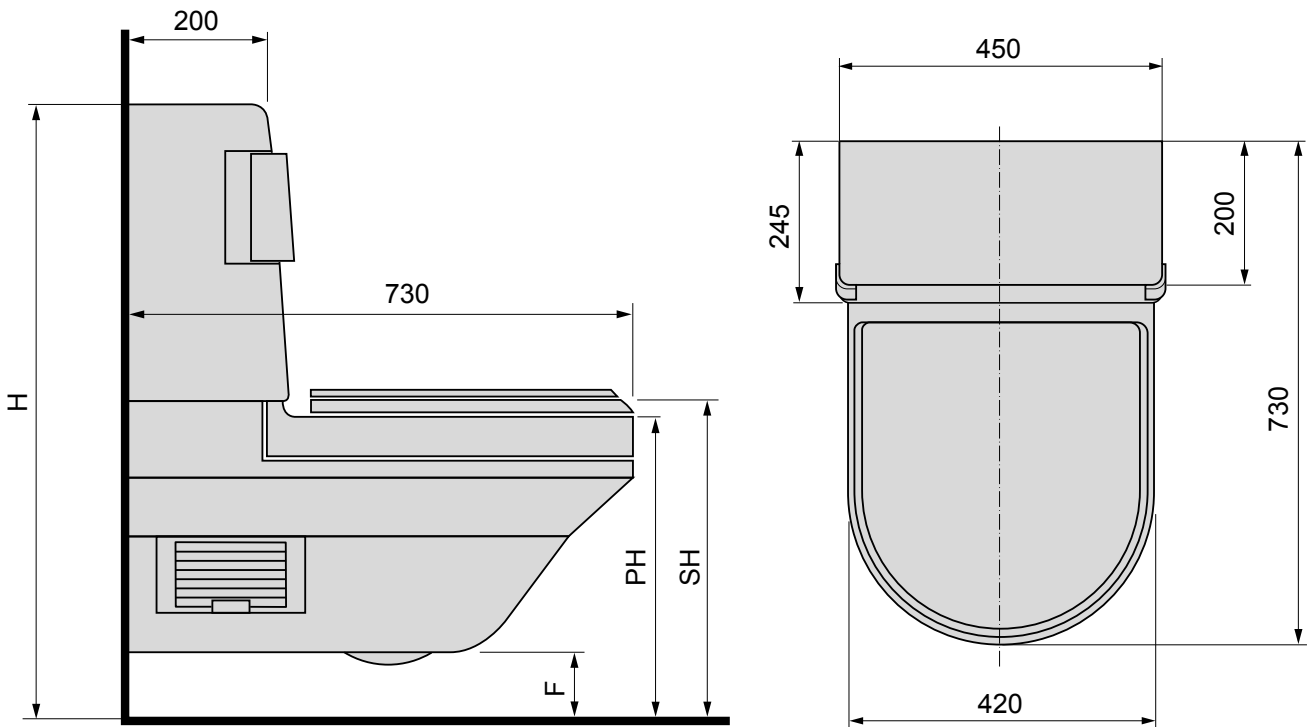
Factory settings: 3.5 minutes (pre-set)

^{one}touch : minimum 30 seconds – maximum 470 seconds

Cleaning the unit

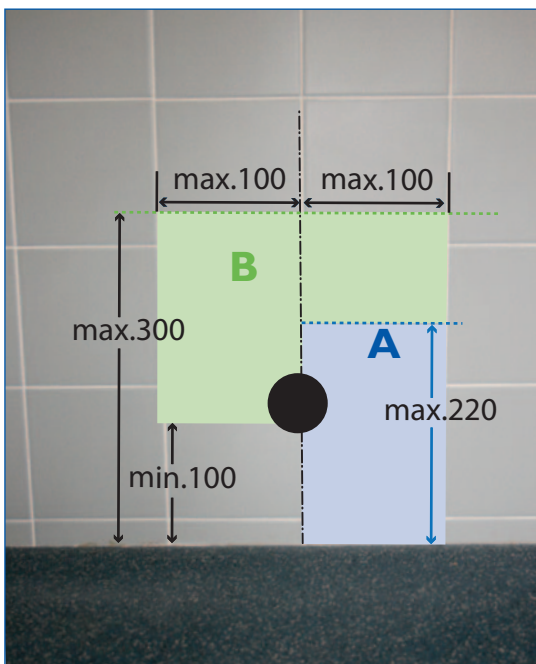
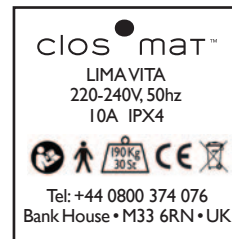
Any product with a concentrate of bleach will corrode the exposed stainless steel components e.g. douche and hinges and is not recommended.

planning data and service requirements



key:

- PH = Specified bowl height (centre of soil-pipe + 190mm)
- SH = Seat height in relation to PH (centre of soil-pipe + 220mm)
- F = Floor clearance (centre of soil-pipe + 150mm)
- H = Total height from floor (centre of soil-pipe + 640mm)



key:

A = Water services

Connection point is a 15mm copper pipe that is positioned 70mm to RH of the centreline of the Clos-o-Mat, 220mm from finished floor level

B = Electrical services

Position between 100mm–300mm from finished floor level, 50mm–100mm left or right from centreline of toilet

installation

IMPORTANT: Please retain all packaging until the installation is complete. Protect all floor surfaces when handling the Closomat. DO NOT slide the Closomat across the flooring.

- 1** Remove the seat – Open the lid. Press and hold the seat hinges together with both thumbs whilst firmly gripping the outer edges of the seat. Now pull upwards sharply.



- 2** To lift the Closomat use the porcelain flushing edge at the front and the steel frame at rear, and lift it out of the bottom of the packing.



- 3** Carefully loosen and pull out the covering cap on the flush tank housing.



- 4** Loosen the screw of the flush tank housing completely, but do not remove it.



- 5** Gently lift the flush tank housing upwards (small arrow) and then pull it forward and off (large arrow).



- 6** Loosen and remove the front screw.



- 7** Pivot the two retaining clamps on the left and right of the toilet upward (arrow).



- 8** Carefully push the rear casing side panels outward somewhat (arrow).



- 9** Carefully lift the unit on the edge of the porcelain bowl and pull the lower housing forward (arrow). Carefully lower the toilet.



installation (cont.)

10 Locate installation template against desired wall.



11 Ensure the installation template is level.



12 Once the installation template is secured, use to drill the wall as directed.



13 Using the desired soil pipe connector pushed against the Closomat, measure the required length.



14 Once to size, use the soil pipe connector to mark its position on the required wall.



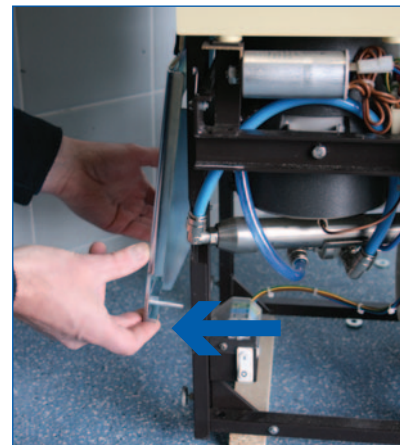
15 Figure 16 shows the assembly plate.



16 Loosen the nuts on the threaded pins of the mounting plates on both sides with a 13 mm wrench in anti-clockwise motion.



17 Remove assembly plate (arrow).

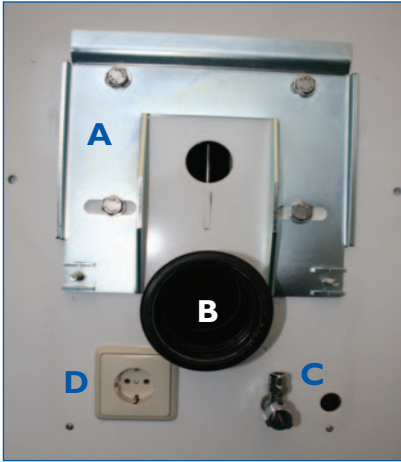


18 Attach assembly plate to the wall via the holes you have already drilled. Align the assembly plate horizontally with a spirit level. Tighten the four screws on the lift system with a 19 mm wrench in clockwise motion. Remove the spirit level.



installation (cont.)

19 Figure shows: **A.** assembly plate **B.** soil pipe **C.** water inlet (isolator) **D.** electric point (European version shown).

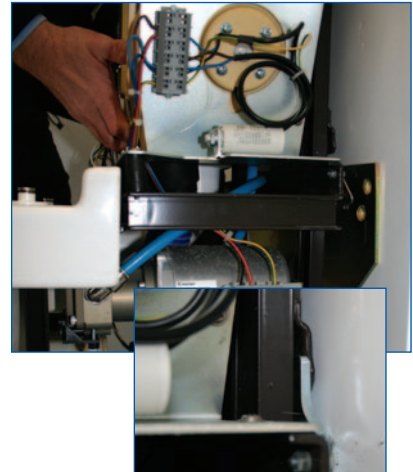


20 Lift the toilet on the frame with two persons and remove the transport supports (held on with adhesive tape). Carefully lower the toilet to the floor. Pull the electrical cable out of the toilet and leave it hanging down.



21 Carefully lift the toilet on the frame with two persons and hang it on the threaded pins of the assembly plate as follows:

- The threaded pins must be positioned in the hole of the frame.
- The drain pipe must be placed on the drain of the toilet. Make sure that the drain of the toilet is inserted into the drain pipe of the lift system. Make sure that the toilet is seated down to the mechanical stop on the threaded pins on both sides.



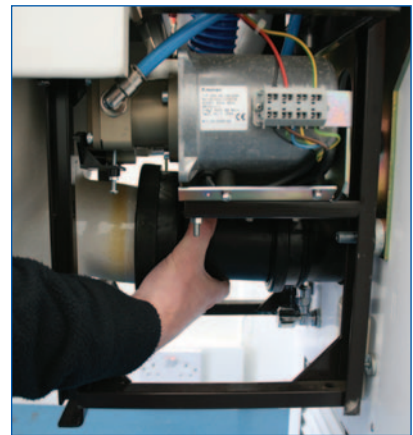
22 Place washers on the threaded pins on the left and right of the toilet. Screw on the nuts on the threaded pins on the left and right of the toilet. Gently tighten the nuts of the threaded pins on the left and right of the toilet with a 13 mm wrench in clockwise motion.



23 Loosen the counter nut on the left support screw with an 8 mm wrench in anti-clockwise motion. Unscrew the support screw by hand until the mechanical stop. Re-tighten the counter nut on the left support screw with an 8 mm wrench in clockwise motion. Loosen the counter nut on the right support screw with an 8 mm wrench in anti-clockwise motion. Unscrew the support screw by hand until the mechanical stop. Tighten the counter nut on the right support screw with an 8 mm wrench in clockwise motion.



24 Push and firmly fix the soil pipe connection to the wall and Closomat. Now connect the water to your inlet and the electrics via the socket you have installed.



test procedure

- 1** Insert the special tool into the rinsing nozzle from below (arrow).



- 2** Pull out the rinsing nozzle using the special tool with force against the spring pressure (arrow) until it reaches its mechanical stop and hold it with your free hand. Once fully extended use the opposite end of the tool and locate in the slot in the douche arm to anchor it as shown.

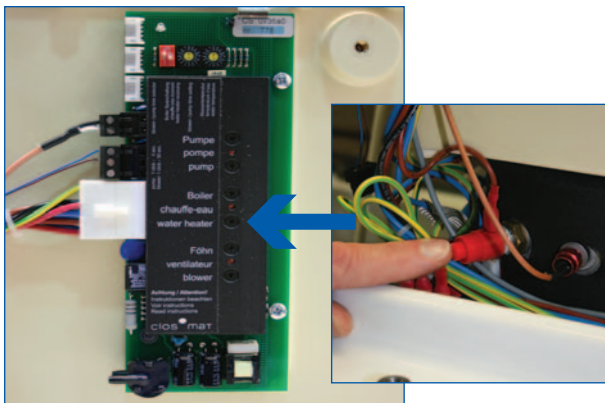


- 3** Locate on/off switch and click to position '1' – the switch will glow blue.

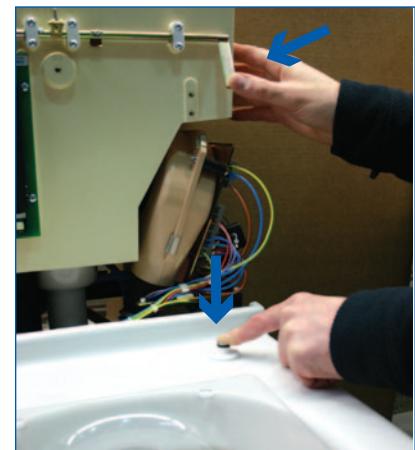


- 4** Check the circuit board to see that the boiler light is illuminated red. If this light is not glowing, press the red reset button (see inset). Once the boiler is up to temperature, the red light will go out.

5 IMPORTANT Place perspex guard over pan to avoid accidental spraying.



- 6** Whilst depressing the right hand seat hinge, hold in the flush lever to activate warm water washing



- 7** Rotate the adjusting screw on the pump lever on the right side of the toilet in clockwise motion. The rinsing stream is intensified. Rotate the adjusting screw on the pump lever in anti-clockwise motion. The rinsing stream is diminished



- 8** Fill Closomat with water and switch on electricity supply; allow approximately 5 minutes for water in heating compartment to reach operating temperature. Check for any leaks on the unit or connections.

- 9** Check manual flushing of the unit by pressing either of the two elbow pads.

- 10** Lift the seat lid and press downwards at back (this closes switch in hinge normally operated by user sitting down). With this depressed, press either elbow pad and keep pressed. Douche arm will now emerge from housing and spray with warm water. As the arm emerges cover spray with other hand and allow water to run cool (approx. 20-25 seconds). Release elbow pad, but maintain pressure on seat lid; the douche will now retract and warm air dryer will operate until cycle is completed i.e. until the seat switch is released.

note

- The Closomat will not function automatically if the seat switch is not depressed.
- The unit should be switched on electrically at all times when in service.

check procedure

- 1 Ensure electrical supply is connected to unit, and switched on: check that correct fuse is fitted.
- 2 Ensure water supply is turned on and that the ball valve is allowing water to enter the cistern and shutting off at correct level. Ensure flow of water is adequate to keep douche supplied.
- 3 Ensure rear of seat is depressed.
- 4 Keep elbow pad depressed until water runs cold. Keep seat depressed while hot air is operating.

note

- Foot switch, hand switch or remote switch, if fitted, will operate exactly as elbow pads.
- Douche temperature and pressure are preset at factory, and adjustments should only be carried out by Clos-o-Mat engineers familiar with the equipment.

finishing the installation

1 Carefully lift the unit on the edge of the porcelain bowl and push the lower housing forward (arrow). Carefully lower the toilet.



2 Pivot the two retaining clamps on the left and right of the toilet downward (arrow).



3 Replace and tighten the front screw



4 Now locate the cistern cover in place, making sure the window in the right hand displays the on/off switch.



5 Tighten the screw of the flush tank housing completely.



6 Carefully tighten and push on the covering cap on the flush tank housing.



7 Replace the seat by locating the hinge pins in the corresponding holes in the pan – press the seat firmly to secure its position.

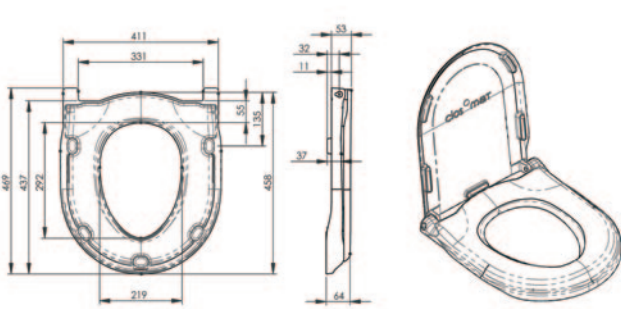


8 Complete the installation by testing the Closomat works by again depressing the seat and holding in one of the elbow levers.

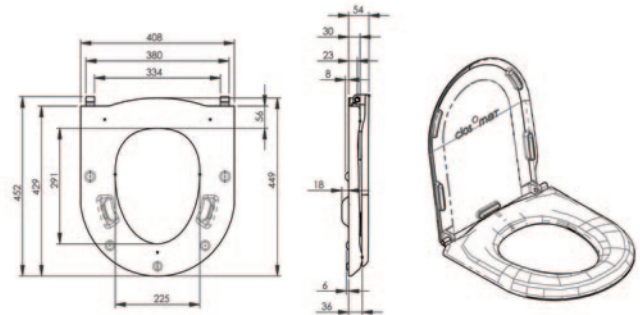


Please advise us of installation address in order that we can arrange the Commission and activate the 12-month guarantee.

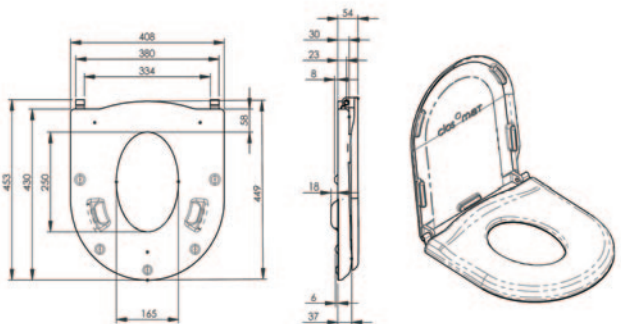
lima vita seats technical data



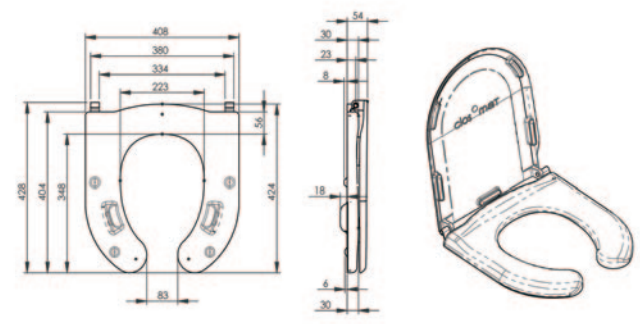
Standard Hard Palma Seat (White)
Side & 3d views shown with lid (White)



Soft Adult Palma Seat (Blue)
Side & 3d views shown with lid (White)



Soft Junior Palma Seat (Blue)
Side & 3d views shown with lid (White)



Soft Horseshoe Palma Seat (Blue)
Side & 3d views shown with lid (White)


hygiene beyond expectation

www.clos-o-mat.com

hygiene beyond expectation



WRAS
APPROVED
PRODUCT

Total Hygiene Limited • Bank House • 182-186 Washway Road • Sale • Cheshire • M33 6RN • Fax: 0161 973 2711



Tel: 0800 374 076 Email: info@clos-o-mat.com