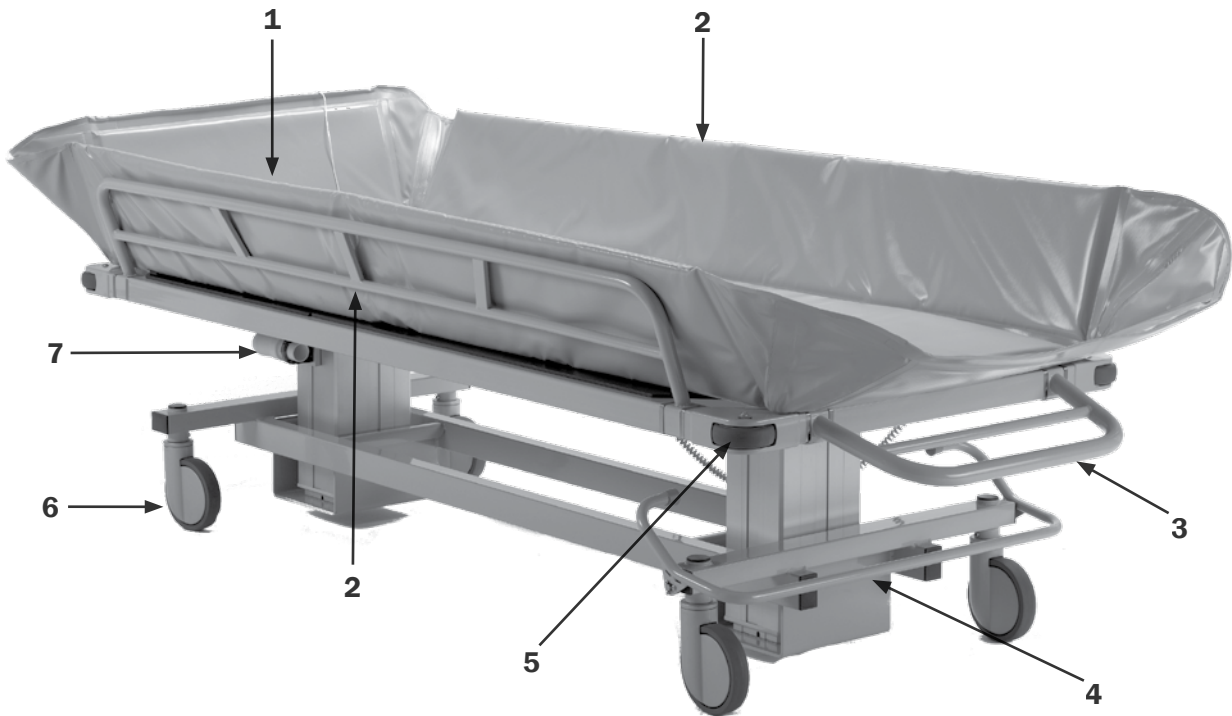


TR 4000 Atlas

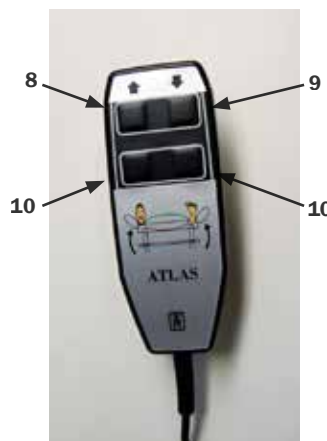
Bariatric Shower Trolley

Hygiene Equipment
Designed for People

Quick guide



1	Drainage
2	Folding side rail
3	Folding head rail for extra length
4	Foot control brakes and straight steering
5	Bumper wheel
6	Straight steering castor
7	Flexible drainage hose



8	Up
9	Down
10	Tilting

Working Load Limit: 450 kg (1000 lbs)

Head office
TR Equipment AB, Sweden
Phone: +46 140 38 50 60
info@treqquipment.se
www.treqquipment.com

Group Subsidiaries
TR Group Inc, US, Phone: +1 (800) 752 6900
TR Equipment Ltd, UK, Phone: +44 (0) 844 335 8386
TRanspoRehaMed GmbH, Germany, Phone: +49 (0) 212 645850-0



TR EQUIPMENT



TR 4000 Atlas

Bariatric Shower Trolley

Hygiene Equipment
Designed for People



Quick guide for the Shower Trolley

- Only qualified staff, who understand all operating and safety procedures may operate the equipment.
- **Never** leave the patient unattended.
- Castor brakes must be securely locked on the Trolley before transferring a patient and once in position over a drain.
- The patient must be positioned comfortably on the Trolley mattress, with side rails **securely** locked.
- Make sure that all parts that come in contact with the patient are intact and without sharp edges.
- Ensure that the Trolley can be moved, raised or lowered safely to avoid any pinch injuries to patient.
- Operate the Trolley carefully when transporting patients through narrow corridors or over irregular uneven surfaces.
- Always physically check water temperature before and during showering and that the thermoscopic mixer functions properly.
- The TR battery charger is the only one approved for charging the Trolley.
- Do not use battery charger in wet or damp areas - potential shock hazard.
- Do not use battery charger in wet or damp areas - potential shock hazard.
- It is recommended that the Trolley batteries are charged daily or whenever Trolley is not in use. Batteries can not be overcharged.
- Check that castor brakes and straight steering are free from damage.
- Ensure that side rails are in place and free from damage and all screws and bolts are tightened.
- Mattress and pillow must be kept well maintained.
- Trolley must be inspected visually for sign of wear. Trolley should not be used if defects are noted. Prompt service is required.

Audible tone sounds

Short tone

This tone informs that the Trolley is level when tilting and stops. Proceed tilting by pressing once more on the hand control when desired.

Long and short tone

When this tone sounds the trolley needs to be charged.

Long and two short tones

If/When this tone sounds the Trolley shall be calibrated to level. See operating manual.

Warning: Never use the Trolley in any way that varies from the safety precautions and operating procedures detailed in the operating manual. The equipment must not be operated by anyone until the user has fully read and understands the instructions in the operating manual.

For further information see Operating manual.

Head office

TR Equipment AB, Sweden
Phone: +46 140 38 50 60
info@trequipment.se
www.trequipment.com

Group Subsidiaries

TR Group Inc, US, Phone: +1 (800) 752 6900
TR Equipment Ltd, UK, Phone: +44 (0) 844 335 8386
TRanspoRehaMed GmbH, Germany, Phone: +49 (0) 212 645850-0



TR EQUIPMENT