

TR 1000 Shower Chair

*Hygiene Equipment
Designed for People*

Spare part list

CE

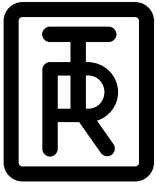


Registered at Medical Products
Agency, Sweden,
as a MD Class 1 product,
MDD 93/42EEC.

TR reserves the right to make
design changes and/or
improvements without notice.

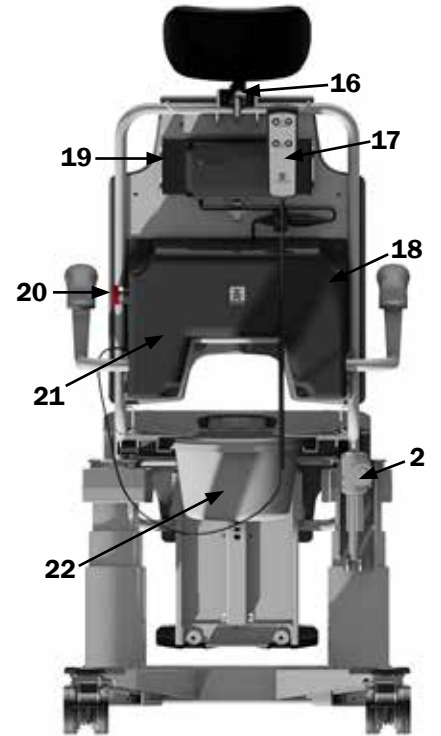
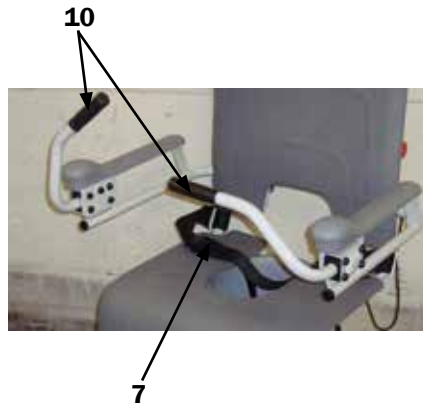


TR EQUIPMENT



TR 1000 Shower Chair

Hygiene Equipment
Designed for People



Position	Art No	Description
1	851895	Raising column TL2, replaced by TL8
1	851895-02	Raising column TL8
2	851896	Tilt actuator
3	7232600	Chair seat PUR
4	7232599	Chair backrest PUR
5	850162	Chair headrest PUR
6	7332601	Armrest with handgrip PUR
7	7418320-02	Safety belt without lock
7	7418320-03	Safety belt with lock
8	850120	Plastic end plug RHS 80*40
9	851760	Twin castor braked Ø100 mm
10	850125	Rubber handgrip for front closing armrest
11	7429578	Fender front left or back right
12	7429578-02	Fender front right or back left

Position	Art No	Description
13	850165	Footplate for footrest
14	850166	Hinge for footplate
15	851184	Adjusting bolt for footrest SS
16	850163	Ball holder headrest, aluminium
17	851899	Hand control
18	851897	Control box (behind back cover)
19	200109	Battery pack TBB, replaced by TBB6
19	200110	Battery pack TBB6
20	851910	Emergency stop
21	7332642	Plastic back cover, grey
22	850169	Bedpan incl. lid
	0521197	Charger with Euro plug
	0521198	Charger with US plug
	0521199	Charger with UK plug

